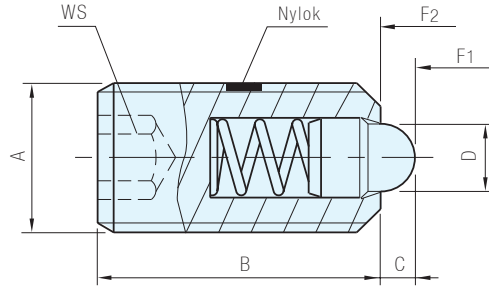




SPS-L
SSJL



SPS-H
SSJH



Type	Body		Spring	Pin	
	Ma.	Tr.	Ma.	Ma.	Co.
SPS-L	steel	blackened	SWP	steel	silver
SPS-H					black
SSJL					silver
SSJH					black

Part No.		A	B	C	D	WS	Load (N)				Price
light	heavy						light		heavy		
							F1	F2	F1	F2	
SPS-05L	SPS-05H	M 5×0.8	12	1.5	2.5	2.5	2	8	5	15	•
SPS-06L	SPS-06H	M 6×1.0	13		3.0	3.0	3	10	6	20	
SPS-08L	SPS-08H	M 8×1.25	15	2.0	4.0	4.0	5	15	10	30	•
SPS-10L	SPS-10H	M10×1.5	16	2.5	5.0	5.0					
SPS-12L	SPS-12H	M12×1.75	20	3.5	6.0	6.0	10	30	20	60	•
SPS-16L	SPS-16H	M16×2.0	22	4.5	8.0	8.0					

Part No.		A	B	C	D	WS	SSJL		SSJH		Price
Type	A						light (N)		heavy (N)		
							F1	F2	F1	F2	
SSJL SSJH	5	M 5×0.8	12	1.5	2.7	2.5	2	8	5	15	•
	6	M 6×1.0	13		3.2	3.0	3	10	6	20	
	8	M 8×1.25	15	2.0	4.0	4.0	5	15	10	30	•
	10	M10×1.5	16	2.5	5.0	5.0					
	12	M12×1.75	20	3.5	6.0	6.0	10	30	20	60	•
16	M16×2.0	22	4.5	8.0	8.0						

Wa.

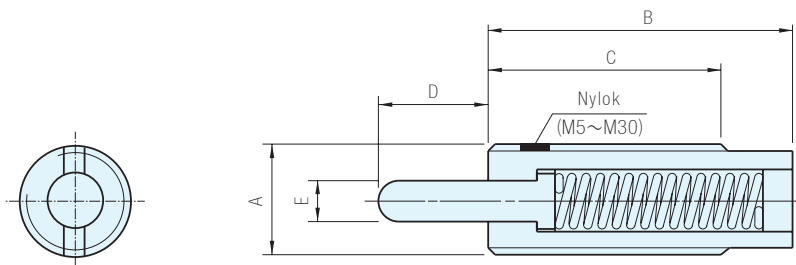
• 1N = 0.101972 kgf

Order: Del:

SPS-05L
SSJL 5



Body		Pin		Spring
Ma.	Tr.	Ma.	Co.	Ma.
SCM435	blackened	SCM435	silver	SWP



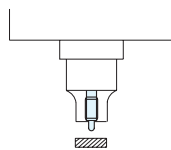
Part No.	A	B	C	D	E	Load(N)	Wrench	Price	
						min~max			
SP-5LS	M 5×0.8	13	13	3.0	2.0	2~ 8	PW-05	•	
SP-05L	M 5×0.8	20	20	3.0	2.0	2~ 10		•	
SP-06L	M 6×1.0	25	25	3.0	2.5	3~ 10		•	
SP-08L	M 8×1.25	25	25	4.0	3.1	3~ 10	PW-08	•	
SP-10L	M10×1.5	30	30	5.0	3.8	3~ 15	PW-10	•	
SP-12L	M12×1.75	30	30	5.0	5.5	2~ 10	PW-12	•	
SP-12-10L	M12×1.75	43	35	10.0	5.5	4~ 20		•	
SP-16-10LS	M16×2.0	50	35	10.0	8.0	10~ 50	PW-16	•	
SP-16-10L	M16×2.0	60	35	10.0	8.0	13~ 40		•	
SP-16-15L	M16×2.0	60	35	15.0	8.0	10~ 40		•	
SP-16-20L	M16×2.0	60	35	20.0	8.0	13~ 40		•	
SP-16-30L	M16×2.0	125	35	30.0	8.0	18~ 40		•	
SP-16-40L	M16×2.0	125	35	40.0	8.0	18~ 40		•	
SP-16-50L	M16×2.0	155	35	50.0	8.0	20~ 50		•	
SP-16-60L	M16×2.0	155	35	60.0	8.0	18~ 40		•	
SP-16-70L	M16×2.0	200	35	70.0	8.0	20~ 50		•	
SP-16-80L	M16×2.0	200	35	80.0	8.0	20~ 50		•	
SP-24-15L	M24×3.0	60	45	15.0	10.0	20~100		PW-24	•
SP-30-20L	M30×3.5	70	45	20.0	15.0	30~150		PW-30	•

Wa.

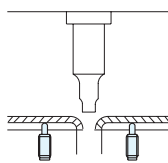
• 1N = 0.101972 kgf

Order: Del:
SP-5LS

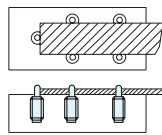
Ex.



ejector pin



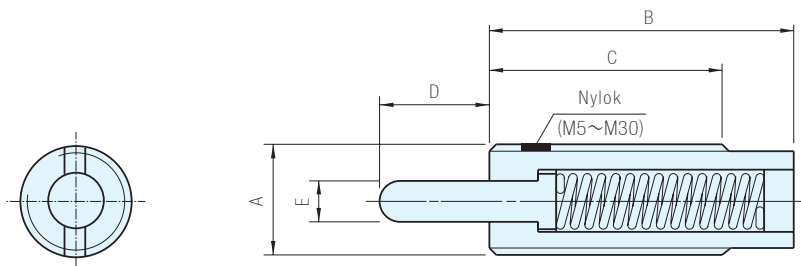
lifter pin



location pin



Body		Pin		Spring
Ma.	Tr.	Ma.	Co.	Ma.
SCM435	blackened	SCM435	black	SWP



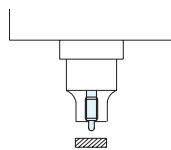
Part No.	A	B	C	D	E	Load(N)	Wrench	Price
						min~max		
SP-03H	M 3×0.5	10	10	1.5	1.0	0.5~ 3	— DRIVER	•
SP-04H	M 4×0.7	12	12	2.0	1.6	2 ~ 10	— DRIVER	•
SP-05H	M 5×0.8	20	20	3.0	2.0	4 ~ 20	PW-05	•
SP-06H	M 6×1.0	25	25	3.0	2.5	8 ~ 30	PW-06	•
SP-08H	M 8×1.25	25	25	4.0	3.1	8 ~ 30	PW-08	•
SP-10H	M10×1.5	30	30	5.0	3.8	10 ~ 50	PW-10	•
SP-12H	M12×1.75	30	30	5.0	5.5	10 ~ 50	PW-12	•
SP-12-10H	M12×1.75	43	35	10.0	5.5	7 ~ 40		•
SP-16-10HS	M16×2.0	50	35	10.0	8.0	20 ~100	PW-16	•
SP-16-10H	M16×2.0	60	35	10.0	8.0	27 ~ 80		•
SP-16-15H	M16×2.0	60	35	15.0	8.0	15 ~ 80		•
SP-16-20H	M16×2.0	85	35	20.0	8.0	17 ~ 80		•
SP-16-30H	M16×2.0	125	35	30.0	8.0	20 ~ 80		•
SP-16-40H	M16×2.0	125	35	40.0	8.0	20 ~ 80		•
SP-16-50H	M16×2.0	155	35	50.0	8.0	30 ~100		•
SP-16-60H	M16×2.0	155	35	60.0	8.0	20 ~ 80		•
SP-16-70H	M16×2.0	200	35	70.0	8.0	30 ~150		•
SP-16-80H	M16×2.0	200	35	80.0	8.0	30 ~150		•
SP-24-15H	M24×3.0	60	45	15.0	10.0	40 ~200	PW-24	•
SP-30-20H	M30×3.5	70	45	20.0	15.0	50 ~300	PW-30	•

Wa.

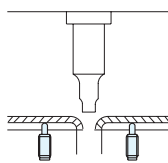
• 1N = 0.101972 kgf

Order: Del:
SP-03H

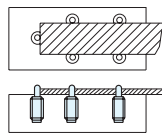
Ex.



ejector pin



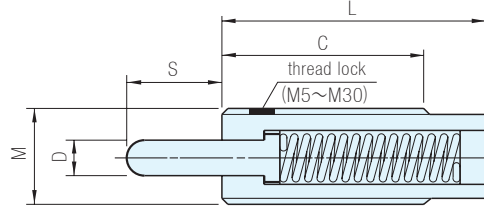
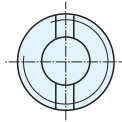
lifter pin



location pin

定位柱
定位置

RoHS



Type	Body		Pin		Spring	Screw
	Ma.	Tr.	Ma.	Co.		
SJS	S45C	blackened	S45C	silver	SWP	green
SJL				black		
SJH		nickel	S45C	black		
SJX						

Part No.		M × P	C			D	L		PJS	PJL	PJH	PJX	Wrench	Price		
Type	M - S		SJS	SJL	SJX		SJS	SJL	SJX	min~max (N)	min~max (N)	min~max (N)		min~max (N)	SJS	SJL
○ SJS ○ SJL ○ SJH ※ SJX	※ 3-1.5	M 3 × 0.5	10	15	1.1	10	15	0.05~0.32	0.5~1	0.8~3	2~5	—	•	•	•	
	※ 3-3		15	20		15	20	0.09~0.32	0.3~1	0.8~3	2~5		•	•	•	
	※ 4-2	15	24	15	24	0.23~0.65	1~2	3~9	5~13	•	•		•			
	※ 4-4	M 4 × 0.7	24	24	1.6	24	24	0.24~0.65	0.6~2	2~9	5~13	DRIVER	•	•	•	
	※ 5-3		20	27		20	27	0.74~2.95	2~10	5~20	9~25		•	•	•	
	※ 5-5	M 5 × 0.8	27	39	27	39	0.72~2.95	2~10	3~20	9~25	•		•	•		
	※ 6-3		25	30	25	30	0.85~3.2	6~10	8~30	14~39	•	•	•			
	※ 6-5	M 6 × 1.0	30	36	2.5	30	36	0.85~3.2	2~10	5~30	14~39	SJG 1	•	•	•	
	6-10		30	—		39	—	—	1.4~10	5~28	—		•	•	•	
	※ 8-3	M 8 × 1.25	25	27	3.1	25	27	0.9~3.3	6~10	15~30	15~41		SJG 2	•	•	•
	※ 8-5		27	30		27	35	0.9~3.3	3~10	8~30	15~41	•		•	•	
	8-10		30	—		43	—	—	3~10	7~30	—	•		•	•	
	※ 10-5	M 10 × 1.5	30	30	3.8	30	35	1.9~4.7	6~15	9~50	16~63	SJG 2	•	•	•	
	※ 10-10		30	30		43	53	1.7~4.7	3~15	8~50	13~63		•	•	•	
	10-15	30	—	58	—	—	3~15	6~50	—	•	•		•			
	※ 12-5	M 12 × 1.75	30	35	5.5	30	43	1.5~4.7	6~15	19~50	37~98	SJG 3	•	•	•	
	※ 12-10		35	35		43	58	1.3~5.9	3~20	8~50	15~98		•	•	•	
	※ 12-15		35	35		51	78	1.6~5.9	3~20	5~50	15~98		•	•	•	
	12-20		35	—		78	—	—	3.5~20	7~50	—		•	•	•	
	※ 16-10	M 16 × 2.0	35	35	8.0	60	60	1.7~12.8	6~40	13~80	24~147	SJG 4	•	•	•	
	※ 16-15		35	35		60	70	1.7~12.8	4~40	13~80	22~147		•	•	•	
	※ 16-20		35	35		85	90	1.7~12.8	5~40	10~80	13~147		•	•	•	
	※ 16-30		35	35		125	125	—	—	3~40	7~80		20~147	•	•	•
	16-40		35	—		125	—	—	—	5~40	7~80		—	•	•	•
	16-50		35	—		155	—	—	—	20~50	30~80		—	•	•	•
	16-60		35	—		159	—	—	—	3~50	4~80		—	•	•	•
	16-70		35	—		185	—	—	—	3.5~50	5.6~80		—	•	•	•
	16-80	35	—	185	—	—	—	20~50	30~95	—	•	•	•			
	※ 20-15	M 20 × 2.5	45	45	10.0	60	80	—	—	13~80	25~150	13~250	SJG 5	•	•	•
	20-20		45	—		72	—	—	—	12~80	23~150	—		•	•	•
20-30	45		—	96		—	—	—	12~80	23~150	—	•		•	•	
20-40	45		—	120		—	—	—	12~80	23~150	—	•		•	•	
24-7	M 24 × 3.0	45	45	10.0	60	84	—	—	20~98	44~196	25~314	SJG 5	•	•	•	
※ 24-15		45	45		60	84	—	—	20~98	47~216	—		•	•	•	
24-20	M 24 × 3.0	45	—	14.0	75	—	—	—	18~98	44~216	—	SJG 6	•	•	•	
24-30		45	—		100	—	—	—	18~98	44~216	—		•	•	•	
24-40		45	—		124	—	—	—	18~98	44~216	—		•	•	•	
30-15		45	—		66	—	—	—	28~118	44~275	—		•	•	•	
30-20	M 30 × 3.5	45	—	14.0	78	—	—	—	28~118	53~275	—	SJG 6	•	•	•	
30-30		45	—		100	—	—	—	28~118	45~275	—		•	•	•	
30-40		45	—		123	—	—	—	28~118	47~275	—		•	•	•	
30-40		45	—		123	—	—	—	28~118	47~275	—		•	•	•	

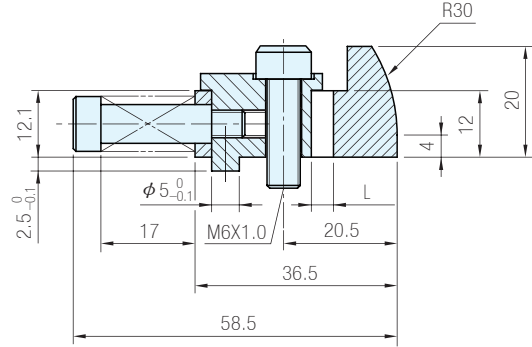
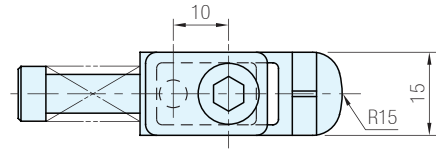
Wa.

• 1N = 0.101972 kgf

Order: Part No. Del: 1 day

SJS3-1.5

定位柱
定位珠

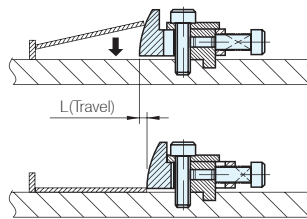
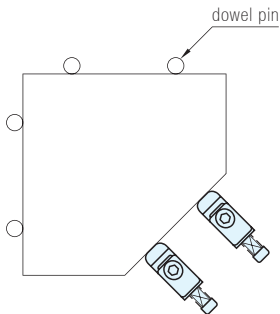


Ma.	Ha.
S45C	HRC45~55 (radius portion)

SPRINGS COLOR	initial force N[kgf]	springs constance	L max	Part No.	price
		N/mm[kgf/mm]			
YELLOW	1.5 [0.15]	0.5 [0.05]	4	1009-F	•
BLUE	3.0 [0.3]	1.0 [0.1]	4	1009-L	•
RED	6.0 [0.6]	2.9 [0.3]	4	1009-M	•
GREEN	20.0 [2.0]	6.6 [0.675]	4	1009-H	•

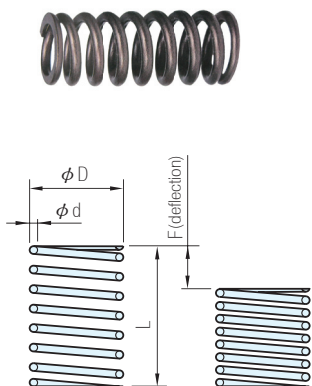
Ex.

Order : Del:
1009-F



RoHS

彈簧配件



D		L	
≤13	>13	≤50	≥55
+0	+0	±1.5	±2.5
-0.5	-0.8		

Ma.	Co.
SWP-A	Nature

規格 D	AY	AR	AF	AL	AT	AM	AH	AB
2				0.5				
3	N/mm 0.1				N/mm 1.5	N/mm 2.0	2.9	3.9
4								4.9
5								
6								
8	N/mm 0.2	N/mm 0.3	N/mm 0.5	N/mm 1.0	N/mm 2.0	N/mm 2.9	N/mm 5.9	N/mm 9.8
10								
12								
13								
14							N/mm 9.8	N/mm 19.6
16								
18								29.4
20		N/mm 0.5		N/mm 2.9	N/mm 3.9	N/mm 4.9	N/mm 14.7	
22			N/mm 1.0					
27								N/mm 29.4
FMAX	F=LX75%	F=LX60%	F=LX45%	F=LX40%	F=LX40%	F=LX35%	F=LX30%	F=LX25%

■ AY:Fmax=LX75 %

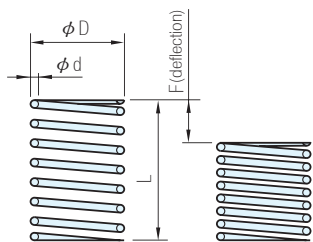
Part No.						Part No.						Part No.															
Type	D-L	d	Solid mm	F max	Load N/max	price	Type	D-L	d	solid mm	F max	Load N/max	price	Type	D-L	d	solid mm	F max	Load N/max	price							
AY	03-05	0.16	1.0	3.75	0.38	•	AY	08-20	0.40	3.5	15.0	1.50	•	AY	16-40	0.85	9.0	30.0	5.90	•							
	10	0.20	2.0	7.5	0.75			25	0.40	3.5	18.7	1.80			45	0.85	9.0	33.7	6.60								
	15	0.23	3.6	11.2	1.12			30	0.45	5.7	22.5	2.20			50	0.90	11.3	37.5	7.40								
	20	0.23	3.6	15.0	1.50			35	0.45	5.7	26.2	2.60			55	0.90	11.3	41.2	8.10								
	25	0.25	5.5	18.7	1.87			40	0.45	5.7	30.0	2.90			60	0.90	11.3	45.0	8.80								
	30	0.26	6.5	22.5	2.25			45	0.45	5.7	33.7	3.30			65	0.90	11.3	48.7	9.60								
AY	04-05	0.20	1.1	3.75	0.38	•	AY	50	0.50	9.0	37.5	3.70	•	AY	70	0.90	11.3	52.5	10.30								
	10	0.23	1.9	7.5	0.70			55	0.50	9.0	41.2	4.00															
	15	0.23	1.9	11.2	1.10			60	0.50	9.0	45.0	4.40															
	20	0.25	2.7	15.0	1.50			65	0.50	9.0	48.7	4.80															
	25	0.29	5.0	18.7	1.80			70	0.50	9.0	52.5	5.10															
	30	0.29	5.0	22.5	2.20			AY	10-15	0.50	3.0	11.2			2.26												
35	0.32	7.7	26.2	2.60	20	0.55	4.6		15.0	2.90																	
40	0.32	7.7	30.0	2.90	25	0.55	4.6		18.7	3.70																	
AY	05-10	0.25	1.7	7.5	0.70	•	AY		30	0.60	6.6	22.5	4.40	•	AY	35	0.60	6.6	26.2	5.10							
	15	0.25	1.7	11.2	1.10				40	0.65	9.1	30.0	5.90														
	20	0.30	3.2	15.0	1.50				45	0.65	9.1	33.7	6.60														
	25	0.30	3.2	18.7	1.80			50	0.65	9.1	37.5	7.40															
	30	0.35	6.3	22.5	2.20			55	0.70	12.6	41.2	8.10															
	35	0.35	6.3	26.2	2.60			60	0.70	12.6	45.0	8.80															
AY	40	0.38	9.2	30.0	2.90	•	AY	65	0.70	12.6	48.7	9.60	•	AY	65	0.70	12.6	48.7	9.60								
	45	0.38	9.2	33.7	3.30			70	0.70	12.6	52.5	10.30															
	50	0.38	9.2	37.5	3.70			AY	13-20	0.60	3.9	15.0			2.90	•	AY	16-20	0.65	3.6	15.0	2.90					
	AY	06-10	0.30	2.1	7.5				0.75	•	AY	25			0.65			5.1	18.7	3.70	•	AY	25	0.70	4.6	18.7	3.70
		15	0.32	2.8	11.2				1.10			30			0.65			5.1	22.5	4.40							
		20	0.32	2.8	15.0				1.50			35			0.70			6.7	26.2	5.10							
		25	0.35	4.1	18.7				1.80			40			0.75			8.7	30.0	5.90							
		30	0.38	5.6	22.5				2.20			45			0.75			8.7	33.7	6.60							
		35	0.38	5.6	26.2			2.60	50			0.80			11.6	37.5	7.40										
	40	0.40	7.2	30.0	2.90			55	0.80	11.6	41.2	8.10															
	45	0.40	7.2	33.7	3.30			60	0.80	11.6	45.0	8.80															
	50	0.40	7.2	37.5	3.70			65	0.85	15.3	48.7	9.60															
55	0.45	12.2	41.2	4.00	70	0.85	15.3	52.5	10.30																		
60	0.45	12.2	45.0	4.40	AY	16-20	0.65	3.6	15.0	2.90	•	AY	25	0.70	4.6	18.7	3.70										
65	0.45	12.2	48.7	4.80		AY	30	0.75	5.7	22.5			4.40														
70	0.45	12.2	52.5	5.10			AY	35	0.80	7.0			26.2	5.10													
AY	08-10	0.35	2.1	7.5				0.75	•	AY			35	0.80	7.0	26.2	5.10										
	15	0.38	3.0	11.2				1.10																			

Order : Del : day
AY03-05

PS.

- Load(N)=Spring constant(N/mm) × deflection(mm)
- The solid height values are reference only
- No grinding on both ends of all AY type
- temperature resistant is 80°C
- 1N=0.101972 kgf

RoHS



D		L	
≤13	>13	≤50	≥55
+0	+0	±1.5	±2.5
-0.5	-0.8		

Ma.	Co.
SWP-A	Nature

規格 D	AY	AR	AF	AL	AT	AM	AH	AB	
2				0.5					
3	N/mm 0.1	N/mm 0.3	N/mm 0.5	N/mm 1.0	N/mm 1.5	N/mm 2.0	2.9	3.9	
4								4.9	
5									
6									
8	N/mm 0.2	N/mm 0.5	N/mm 1.0	N/mm 2.0	N/mm 2.9	N/mm 5.9	N/mm 9.8		
10									
12									
13									
14						N/mm 9.8	N/mm 19.6		
16									
18								29.4	
20		N/mm 0.5	N/mm 1.0	N/mm 2.9	N/mm 3.9	N/mm 4.9	N/mm 14.7		
22									
27								N/mm 29.4	
FMAX	F=LX75%	F=LX60%	F=LX45%	F=LX40%	F=LX40%	F=LX35%	F=LX30%	F=LX25%	

■ AR:Fmax=LX60%

Part No.						Part No.						Part No.								
Type	D-L	d	Solid mm	F max	Load N/max	price	Type	D-L	d	Solid mm	F max	Load N/max	price	Type	D-L	d	Solid mm	F max	Load N/max	price
AR	03-05	0.23	1.8	3	0.9		AR	06-15	0.40	3.2	9	2.6		AR	10-65	0.85	21.0	39	11.5	
	10	0.25	2.3	6	1.8			20	0.50	7.5	12	3.5			70	0.85	21.0	42	12.4	
	15	0.30	4.8	9	2.6			25	0.50	7.5	15	4.4			80	0.90	28.8	48	14.1	
	20	0.30	4.8	12	3.5			30	0.50	7.5	18	5.3		AR	12-10	0.60	3.6	6	1.8	
	25	0.32	6.8	15	4.4			35	0.55	11.5	21	6.2			15	0.65	4.6	9	2.6	
	30	0.32	6.8	18	5.3			40	0.55	11.5	24	7.1			20	0.65	4.6	12	3.5	
	35	0.35	11.5	21	6.2			45	0.60	17.4	27	7.9			25	0.70	6.0	15	4.4	
40	0.35	11.5	24	7.1		50	0.60	17.4	30	8.8		30	0.70		6.0	18	5.3			
AR	04-05	0.26	1.6	3	0.9		55	0.60	17.4	33	9.7		35		0.70	6.0	21	6.2		
	10	0.29	2.2	6	1.8		60	0.60	17.4	36	10.6		40		0.80	10.4	24	7.1		
	15	0.32	3.2	9	2.6		65	0.60	17.4	39	11.5		45		0.80	10.4	27	7.9		
	20	0.38	6.5	12	3.5		70	0.60	17.4	42	12.4		50		0.90	17.1	30	8.8		
	25	0.38	6.5	15	4.4		80	0.65	27.3	48	14.1		55		0.90	17.1	33	9.7		
	30	0.40	8.4	18	5.3		AR	08-10	0.45	2.7	6	1.8		60	0.90	17.1	36	10.6		
	35	0.40	8.4	21	6.2			15	0.50	4.0	9	2.6		65	0.90	17.1	39	11.5		
	40	0.45	15.0	24	7.1			20	0.50	4.0	12	3.5		70	0.90	17.1	42	12.4		
	45	0.45	15.0	27	7.9			25	0.55	5.8	15	4.4		80	1.00	28.0	48	14.1		
	50	0.45	15.0	30	8.8			30	0.60	8.4	18	5.3		AR	13-10	0.60	3.2	6	1.8	
55	0.45	15.0	33	9.7		35		0.60	8.4	21	6.2		15		0.70	4.9	9	2.6		
60	0.50	23.5	36	10.6		40		0.60	8.4	24	7.1		20		0.70	4.9	12	3.5		
65	0.50	25.0	39	11.5		45		0.70	16.0	27	7.9		25		0.80	8.4	15	4.4		
70	0.50	25.0	42	12.4		50	0.70	16.0	30	8.8		30	0.80		8.4	18	5.3			
AR	05-05	0.30	1.6	3	0.9		55	0.70	16.0	33	9.7		35		0.80	8.4	21	6.2		
	10	0.35	1.6	6	1.8		60	0.70	16.0	36	10.6		40		0.90	13.5	24	7.1		
	15	0.35	2.8	9	2.6		65	0.70	16.0	39	11.5		45		0.90	13.5	27	7.9		
	20	0.40	4.8	12	3.5		70	0.70	16.0	42	12.4		50		0.90	13.5	30	8.8		
	25	0.45	8.0	15	4.4		80	0.75	22.9	48	14.1		55		0.90	13.5	33	9.7		
	30	0.45	8.0	18	5.3		AR	10-10	0.55	3.6	6	1.8		60	1.00	22.0	36	10.6		
	35	0.50	12.5	21	6.2			15	0.60	4.8	9	2.6		65	1.00	22.0	39	11.5		
	40	0.50	12.5	24	7.1			20	0.65	6.5	12	3.5		70	1.00	22.0	42	12.4		
	45	0.55	17.6	27	7.9			25	0.65	6.5	15	4.4		80	1.00	22.0	48	14.1		
	50	0.55	18.0	30	8.8			30	0.70	8.8	18	5.3		90	1.00	22.0	54	15.9		
55	0.55	20.0	33	9.7		35		0.70	8.8	21	6.2		AR	14-15	0.70	4.6	9	2.6		
60	0.55	20.0	36	10.6		40		0.70	8.8	24	7.1			20	0.75	5.6	12	3.5		
65	0.55	20.9	39	11.5		45		0.80	16.0	27	7.9			25	0.80	7.2	15	4.4		
70	0.55	20.9	42	12.4		50	0.80	16.0	30	8.8		30		0.80	7.2	18	5.3			
AR	06-05	0.32	1.6	3	0.9		55	0.80	16.0	33	9.7		35	0.80	7.2	21	6.2			
	10	0.40	3.2	6	1.8		60	0.85	21.0	36	10.6		40	0.90	11.3	24	7.1			

Part No.		d	Solid mm	F max	Load N/max	price
Type	D-L					
AR	14-45	0.90	11.3	27	7.9	•
	50	0.90	11.3	30	8.8	
	55	1.00	18.0	33	9.7	
	60	1.00	18.0	36	10.6	
	65	1.00	18.0	39	11.5	
	70	1.00	18.0	42	12.4	•
	80	1.10	28.6	48	14.1	
	90	1.10	28.6	54	15.9	
AR	16-15	0.75	4.5	9	2.6	
	20	0.80	5.6	12	3.5	
	25	0.90	8.0	15	4.4	
	30	0.90	8.0	18	5.3	•
	35	0.90	8.0	21	6.2	
	40	1.00	13.0	24	7.1	
	45	1.00	13.0	27	7.9	
	50	1.00	13.0	30	8.8	
	55	1.00	13.0	33	9.7	
	60	1.10	20.0	36	10.6	
	65	1.10	20.0	39	11.5	•
	70	1.10	20.0	42	12.4	
80	1.10	20.0	48	14.1		
90	1.20	28.8	54	15.9		
AR	18-20	1.00	7.0	12	5.8	
	25	1.00	7.0	15	7.4	
	30	1.10	9.9	18	8.8	•
	35	1.10	9.9	21	10.3	
	40	1.20	14.4	24	11.8	
	45	1.20	14.4	27	13.2	
	50	1.20	14.4	30	14.7	
	55	1.30	19.5	33	16.2	
	60	1.30	19.5	36	17.7	•
	65	1.30	19.5	39	19.1	
70	1.30	19.5	42	20.6		
80	1.40	27.3	48	23.5		
AR	20-20	1.00	6.0	12	5.8	
	25	1.10	8.3	15	7.4	
	30	1.10	8.3	18	8.8	•
	35	1.20	10.8	21	10.3	
	40	1.20	10.8	24	11.8	
	45	1.20	10.8	27	13.2	
	50	1.30	15.0	30	14.7	
	55	1.30	15.0	33	16.2	
	60	1.30	15.0	36	17.7	•
	65	1.30	15.0	39	19.1	
70	1.40	21.0	42	20.6		
80	1.40	21.0	48	23.5		
AR	22-20	1.10	6.9	12	5.9	
	25	1.20	9.0	15	7.4	
	30	1.20	9.0	18	8.8	•
	35	1.30	12.4	21	10.3	
	40	1.30	12.4	24	11.8	
	45	1.30	12.4	27	13.2	
	50	1.40	16.1	30	14.7	
	55	1.40	16.1	33	16.2	
	60	1.40	16.1	36	17.7	•
	65	1.50	22.5	39	19.1	
70	1.50	22.5	42	20.6		
80	1.50	22.5	48	23.5		

Part No.		d	Solid mm	F max	Load N/max	price
Type	D-L					
AR	27-30	1.30	8.5	18	8.8	
	35	1.40	10.5	21	10.3	
	40	1.40	10.5	24	11.8	•
	45	1.40	10.5	27	13.2	
	50	1.60	17.6	30	14.7	
	55	1.60	17.6	33	16.2	
	60	1.60	17.6	36	17.7	
	65	1.70	22.1	39	19.1	•
	70	1.70	22.1	42	20.6	
	80	1.70	22.1	48	23.5	

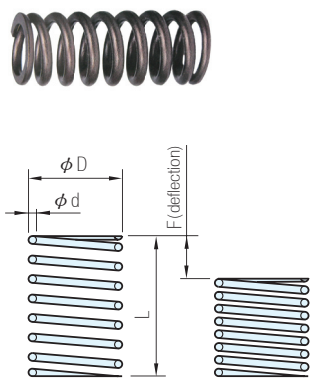
Order : Del :
AR14-45

PS.

- Load(N)=Spring constant(N/mm) × deflection(mm)
- The solid height values are reference only
- No grinding on both ends of all AR type
- temperature resistant is 80°C
- 1N=0.101972 kgf



彈簧配件



D		L	
≤13	>13	≤50	≥55
+0	+0	±1.5	±2.5
-0.5	-0.8		

Ma.	Co.
SWP-A	Nature

規格 D	AY	AR	AF	AL	AT	AM	AH	AB
2				0.5				
3	N/mm 0.1				N/mm 1.5	N/mm 2.0	2.9	3.9
4								4.9
5								
6								
8	N/mm 0.3		N/mm 0.5	N/mm 1.0	N/mm 2.0	N/mm 2.9	N/mm 5.9	N/mm 9.8
10								
12								
13								
14	N/mm 0.2						N/mm 9.8	N/mm 19.6
16								
18								
20								
22	N/mm 0.5		N/mm 1.0	N/mm 2.9	N/mm 3.9	N/mm 4.9	N/mm 14.7	29.4
27								
FMAX	F=LX75%	F=LX60%	F=LX45%	F=LX40%	F=LX40%	F=LX35%	F=LX30%	F=LX25%

■ AF:Fmax=LX45%

Part No.							Part No.							Part No.								
Type	D-L	d	Solid mm	F max	Load N/max	price	Type	D-L	d	Solid mm	F max	Load N/max	price	Type	D-L	d	Solid mm	F max	Load N/max	price		
AF	03-05*	0.26	2.0	2.25	1.1	.	AF	06-15	0.55	8.0	6.7	3.2	.	AF	10-65	1.00	31.0	29.2	14.3	.		
	10*	0.32	5.0	4.5	2.2			20	0.55	8.0	9.0	4.4			70	1.00	31.0	31.5	14.7			
	15*	0.32	5.0	6.7	3.2			25	0.60	12.0	11.2	5.5			80	1.00	31.0	36.0	17.7			
	20*	0.35	7.0	9.0	4.4			30	0.65	16.0	13.5	6.6		AF	12-10	0.70	4.6	4.5	2.3			
	25*	0.35	7.0	11.2	5.5			35	0.65	17.0	15.7	7.6			15	0.70	4.6	6.7	3.2			
	30	0.40	13.2	13.5	6.6			40	0.65	17.0	18.0	8.8			20	0.80	7.2	9.0	4.4			
	35	0.40	13.2	15.7	7.6			45	0.65	17.0	20.0	9.8			25	0.80	7.2	11.2	5.5			
40	0.40	13.2	18.0	8.8	50	0.70	25.2	22.5	10.8	30	0.90	11.3	13.5	6.6								
AF	04-05*	0.32	2.3	2.25	1.1	.	AF	55	0.70	25.2	24.7	12.1	.	AF	35	0.90	11.3	15.7	7.6	.		
	10*	0.35	3.1	4.5	2.2			60	0.70	25.2	27.0	12.7			40	0.90	11.3	18.0	8.8			
	15*	0.40	5.6	6.7	3.2			65	0.70	25.2	29.2	14.3			45	0.90	11.3	20.0	9.8			
	20*	0.40	5.6	9.0	4.4			70	0.70	25.2	31.5	14.7			50	1.00	18.0	22.5	10.8			
	25*	0.45	9.9	11.2	5.5			80	0.70	25.2	36.0	17.7			55	1.00	18.0	24.7	12.1			
	30*	0.45	9.9	13.5	6.6			AF	08-10	0.60	5.0	4.5			2.2	60	1.00	18.0	27.0		12.7	
	35	0.50	16.5	15.7	7.6				15	0.65	7.5	6.7			3.2	65	1.00	18.0	29.2		14.3	
	40	0.50	16.5	18.0	8.8				20	0.70	10.8	9.0		4.4	70	1.10	28.1	31.5	14.7			
	45	0.50	16.5	20.0	9.8				25	0.70	10.8	11.2		5.5	80	1.10	27.5	36.0	17.7			
	50	0.50	16.5	22.5	10.8			AF	30	0.75	14.5	13.5		6.6	.	AF	13-10	0.75	4.9		4.5	2.3
	55	0.50	16.5	24.7	12.1				35	0.75	14.5	15.7		7.6			15	0.80	6.0		6.7	3.2
60	0.50	16.5	27.0	12.7	40	0.80	20.0		18.0	8.8	20	0.80	6.0	9.0			4.4					
65*	0.55	26.4	29.2	14.3	45	0.80	20.0		20.0	9.8	25	0.85	7.2	11.2			5.5					
70*	0.55	26.4	31.5	15.4	50	0.80	20.0		22.5	10.8	30	1.00	15.0	13.5			6.6					
AF	05-05*	0.35	2.0	2.25	1.1	.	AF		55	0.80	20.0	24.7	12.1	.			AF	35	1.00	15.0	15.7	7.6
	10*	0.38	2.8	4.5	2.2				60	0.85	27.6	27.0	12.7					40	1.00	15.0	18.0	8.8
	15*	0.40	3.4	6.7	3.2				65	0.85	27.6	29.2	14.3			45		1.00	15.0	20.0	9.8	
	20*	0.45	5.4	9.0	4.4				70	0.85	27.6	31.5	14.7			50		1.00	15.0	22.5	10.8	
	25*	0.50	8.5	11.2	5.5				80	0.85	28.1	36.0	17.7			55		1.10	22.0	24.7	12.1	
	30	0.55	13.2	13.5	6.6				AF	10-10	0.65	5.0	4.5			2.2		60	1.10	22.0	27.0	12.7
	35	0.55	13.2	15.7	7.6			15		0.65	5.0	6.7	3.2		65	1.10		22.0	29.2	14.3		
	40	0.55	20.4	18.0	8.8			20		0.80	10.4	9.0	4.4		70	1.10	22.0	31.5	14.7			
	45	0.60	20.4	20.0	9.8			25		0.80	10.4	11.2	5.5		80	1.10	22.0	36.0	17.7			
	50	0.60	20.4	22.5	10.8			AF	30	0.85	14.0	13.5	6.6		.	AF	90	1.20	33.6	40.5	19.9	
	55	0.60	20.4	24.7	12.1				35	0.85	14.0	15.7	7.6				AF	14-15	0.80	5.2	6.7	3.2
60	0.60	20.4	27.0	12.7	40	0.90	17.5		18.0	8.8	20	0.90	7.9	9.0				4.4				
65	0.60	20.4	29.2	14.3	45	0.90	17.5		20.0	9.8	25	0.90	7.9	11.2				5.5				
70	0.60	20.4	31.5	15.4	50	0.90	17.5		22.5	10.8	30	1.00	12.0	13.5				6.6				
AF	06-05*	0.40	2.3	2.25	1.1	.	55		0.90	17.5	24.7	12.1	.	35			1.00	12.0	15.7	7.6		
	10	0.50	5.0	4.5	2.2		60		1.00	31.0	27.0	12.7		40			1.00	12.0	18.0	8.8		

Part No.		d	Solid mm	F max	Load N/max	price
Type	D-L					
AF	14-45	1.00	12.0	20.0	9.8	•
	50	1.10	18.2	22.5	10.8	
	55	1.10	18.2	24.7	12.1	
	60	1.10	18.2	27.0	12.7	
	65	1.20	27.6	29.2	14.3	
	70	1.20	27.6	31.5	14.7	
	80	1.20	27.6	36.0	17.7	
	90	1.30	39.7	40.5	19.9	
AF	16-15	0.90	6.3	6.7	3.2	•
	20	1.00	8.7	9.0	4.4	
	25	1.00	8.7	11.2	5.5	
	30	1.10	12.8	13.5	6.6	
	35	1.10	12.8	15.7	7.6	
	40	1.20	18.6	18.0	8.8	
	45	1.20	18.6	20.0	9.8	
	50	1.20	18.6	22.5	10.8	
	55	1.20	18.6	24.7	12.1	
	60	1.30	26.8	27.0	12.7	
	65	1.30	26.8	29.2	14.3	
	70	1.30	26.8	31.5	14.7	
80	1.40	36.0	36.0	17.7		
90	1.40	36.4	40.5	19.9		
AF	18-20	1.20	9.0	9.0	8.8	•
	25	1.30	12.4	11.2	10.8	
	30	1.30	12.4	13.5	12.7	
	35	1.40	16.1	15.7	14.7	
	40	1.50	21.0	18.0	17.7	
	45	1.50	21.0	20.0	19.9	
	50	1.50	21.0	22.5	22.1	
	55	1.60	28.8	24.7	24.3	
	60	1.60	28.8	27.0	26.5	
	65	1.60	28.8	29.2	28.7	
70	1.70	37.4	31.5	30.9		
80	1.70	37.4	36.0	35.3		
AF	20-20	1.20	7.2	9.0	8.8	•
	25	1.30	9.8	11.2	10.8	
	30	1.40	12.6	13.5	12.7	
	35	1.40	12.6	15.7	14.7	
	40	1.50	16.5	18.0	17.7	
	45	1.50	16.5	20.0	19.9	
	50	1.60	21.6	22.5	22.1	
	55	1.60	21.6	24.7	24.3	
	60	1.60	21.6	27.0	26.5	
	65	1.70	28.1	29.2	28.7	
70	1.70	28.1	31.5	30.9		
80	1.70	28.1	36.0	35.3		
AF	22-20	1.30	7.8	9.0	8.8	•
	25	1.40	10.5	11.2	11.0	
	30	1.40	10.5	13.5	13.2	
	35	1.50	13.5	15.7	15.4	
	40	1.50	13.5	18.0	17.7	
	45	1.70	22.1	20.2	19.8	
	50	1.70	22.1	22.5	22.1	
	55	1.70	22.1	24.7	24.2	
	60	1.80	28.8	27.0	26.5	
	65	1.80	28.8	29.2	28.6	
70	1.80	28.8	31.5	30.9		
80	1.80	28.8	36.0	35.3		

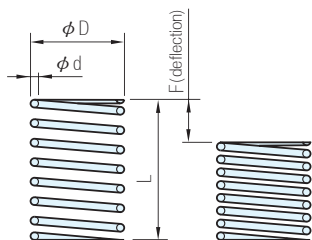
Part No.		d	Solid mm	F max	Load N/max	price
Type	D-L					
AF	27-30	1.70	14.1	13.5	13.2	•
	35	1.70	14.1	15.7	15.4	
	40	1.70	14.1	18.0	17.7	
	45	1.90	21.4	20.2	19.8	
	50	1.90	21.4	22.5	22.1	
	55	2.00	26.0	24.7	24.2	
	60	2.00	26.0	27.0	26.5	
	65	2.00	26.0	29.2	28.6	
	70	2.00	26.0	31.5	30.9	
	80	2.00	26.0	36.0	35.3	

Order : Del :
AF14-45

PS.

- Load(N)=Spring constant(N/mm) × deflection(mm)
- The solid height values are reference only
- No grinding on both ends of ★ mark
- temperature resistant is 80°C
- 1N=0.101972 kgf

RoHS



D		L	
≤13	>13	≤50	≥55
+0	+0	±1.5	±2.5
-0.5	-0.8		

Ma.	Co.
SWP-A	Nature

規格 D	AY	AR	AF	AL	AT	AM	AH	AB
2				0.5				
3	N/mm 0.1				N/mm 1.5	N/mm 2.0	2.9	3.9
4								4.9
5								
6	N/mm 0.2	N/mm 0.3	N/mm 0.5	N/mm 1.0	N/mm 2.0	N/mm 2.9	N/mm 5.9	N/mm 9.8
8								
10								
12	N/mm 0.5	N/mm 1.0	N/mm 2.9	N/mm 3.9	N/mm 4.9	N/mm 14.7	29.4	N/mm 19.6
13								
14								
16								
18								
20								
22								
27								N/mm 29.4
FMAX	F=LX75%	F=LX60%	F=LX45%	F=LX40%	F=LX40%	F=LX35%	F=LX30%	F=LX25%

■ AL:Fmax=LX40%

Part No.	d	Solid	F	Load	price	Part No.	d	Solid	F	Load	price	Part No.	d	Solid	F	Load	price									
Type	D-L	mm	max	N/max		Type	D-L	mm	max	N/max		Type	D-L	mm	max	N/max										
AL	02-05*	0.20	1.7	2	0.98	AL	05-65	0.75	32.3	26	25.5	AL	10-45	1.00	17.0	18	17.7	AL								
	10*	0.26	5.2	4	2.0		70	0.75	32.3	28	27.5		50	1.00	17.0	20	19.6		55	1.00	17.0	22	21.6			
	15*	0.26	5.2	6	2.9		06-05*	0.45	2.5	2	2.0		10	0.55	4.7	4	3.9		60	1.00	17.0	24	23.5			
	20*	0.29	9.0	8	3.9		10	0.55	4.7	6	5.9		15	0.55	4.7	6	5.9		65	1.10	24.0	26	25.5			
	25*	0.29	9.0	10	4.9		15	0.55	4.7	6	5.9		20	0.65	9.0	8	7.8		70	1.10	24.0	28	27.5			
	30*	0.30	10.8	12	5.9		20	0.65	9.0	8	7.8		25	0.65	9.0	10	9.8		80	1.10	24.0	32	31.4			
AL	03-05*	0.30	2.1	2	2.0	AL	25	0.65	9.0	10	9.8	AL	12-10	0.80	4.8	4	4.0	AL								
	10*	0.35	3.9	4	3.9		30	0.70	13.7	12	11.8		15	0.90	7.2	6	5.9		20	0.90	7.2	8	7.8			
	15*	0.40	6.5	6	5.9		35	0.70	13.7	14	13.7		25	0.90	7.2	10	9.8		30	1.00	10.5	12	11.8			
	20*	0.40	6.5	8	7.8		40	0.70	13.7	16	15.7		35	1.00	10.5	14	13.7		40	1.00	10.5	16	15.7			
	25*	0.45	13.0	10	9.8		45	0.75	18.9	18	17.7		45	1.10	15.4	18	17.7		50	1.10	15.4	20	19.6			
	30*	0.45	13.0	12	11.8		50	0.75	18.9	20	19.6		55	1.10	15.4	22	21.6		60	1.20	22.8	24	23.5			
AL	04-05*	0.35	2.1	2	2.0	AL	55	0.75	18.9	22	21.6	AL	65	1.20	22.8	26	25.5	AL								
	10*	0.45	5.0	4	3.9		60	0.80	26.4	24	23.5		70	1.20	22.8	28	27.5		80	1.30	34.5	32	31.4			
	15*	0.45	5.0	6	5.9		65	0.80	26.4	26	25.5		AL	13-10	0.85	5.1	4		4.0	AL						
	20	0.50	9.0	8	7.8		70	0.85	30.6	28	27.5			15	0.90	6.3	6		5.9		20	1.00	8.7	8	7.8	
	25	0.50	9.0	10	9.8		80	0.85	34.9	32	31.4			25	1.00	8.7	10		9.8		25	1.00	8.7	10	9.8	
	30	0.55	13.9	12	11.8		AL	08-10	0.65	4.7	4			3.9	30	1.10	13.2		12		11.8	30	1.10	13.2	12	11.8
	35	0.55	13.9	14	13.7			15	0.75	8.5	6			5.9	35	1.10	13.2		14		13.7	35	1.10	13.2	14	13.7
	40	0.60	21.6	16	15.7			20	0.75	8.5	8			7.8	40	1.10	13.2		16		15.7	40	1.10	13.2	16	15.7
	45	0.60	21.6	18	17.7			25	0.75	8.5	10			9.8	45	1.10	13.2		18		17.7	45	1.10	13.2	18	17.7
	50	0.60	21.6	20	19.6			30	0.80	11.2	12			11.8	50	1.10	13.2		20		19.6	50	1.10	13.2	20	19.6
55	0.60	21.6	22	21.6	35	0.80		11.2	14	13.7	55	1.10		13.2	22	21.6	55	1.10	13.2		22	21.6				
60	0.65	33.0	24	23.5	40	0.80		11.2	16	15.7	60	1.20		22.8	24	23.5	60	1.10	13.2		24	23.5				
AL	05-05*	0.40	2.3	2	2.0	AL		45	0.85	15.3	18	17.7	AL	65	1.20	18.6	26	25.5	AL							
	10*	0.45	3.4	4	3.9			50	0.85	15.3	20	19.6		70	1.20	18.6	28	27.5		AL						
	15*	0.50	5.0	6	5.9			55	0.85	15.3	22	21.6		80	1.40	37.8	32	31.4			AL					
	20	0.55	7.7	8	7.8		60	0.90	19.4	24	23.5	90		1.40	37.8	36	35.3	AL								
	25	0.60	10.8	10	9.8		65	0.90	19.4	26	25.5	AL		14-15	1.00	7.5	6					5.9	AL			
	30	0.60	10.8	12	11.8		70	1.00	31.0	28	27.5			20	1.00	7.5	8					7.8				
	35	0.65	15.6	14	13.7		80	1.00	31.0	32	31.4															
	40	0.65	15.6	16	15.7		AL	10-10	0.75	5.3	4			3.9												
	45	0.70	20.0	18	17.7			15	0.80	6.4	6			5.9												
	50	0.70	20.0	20	19.6			20	0.80	6.4	8			7.8												
55	0.70	23.1	22	21.6	25	0.90		10.8	10	9.8																
60	0.75	33.0	24	23.5	30	0.90		10.8	12	11.8																
					35	0.90		10.8	14	13.7																
					40	0.90		10.8	16	15.7																

Part No.		d	Solid mm	F max	Load N/max	price
Type	D-L					
AL	14-25	1.00	7.5	10	9.8	•
	30	1.10	11.0	12	11.8	
	35	1.10	11.0	14	13.7	
	40	1.10	11.0	16	15.7	
	45	1.20	15.6	18	17.7	
	50	1.20	15.6	20	19.6	
	55	1.20	15.6	22	21.6	
	60	1.20	15.6	24	23.5	
	65	1.30	22.1	26	25.5	
	70	1.30	22.1	28	27.5	
	80	1.30	22.1	32	31.4	
90	1.50	43.5	36	35.3		
AL	16-15	1.10	8.2	6	5.9	•
	20	1.10	8.2	8	7.8	
	25	1.20	10.0	10	9.8	
	30	1.20	10.0	12	11.8	
	35	1.20	10.0	14	13.7	
	40	1.20	10.0	16	15.7	
	45	1.40	21.0	18	17.7	
	50	1.40	21.0	20	19.6	
	55	1.40	21.0	22	21.6	
	60	1.40	21.0	24	23.5	
	65	1.50	29.7	26	25.5	
	70	1.50	29.7	28	27.5	
	80	1.50	29.7	32	31.4	
	90	1.60	40.0	36	35.3	
AL	18-20	1.50	10.0	8	23.5	•
	25	1.60	12.0	10	29.4	
	30	1.60	12.0	12	35.3	
	35	1.70	16.2	14	41.2	
	40	1.70	16.2	16	47.1	
	45	1.80	19.8	18	53.0	
	50	1.80	19.8	20	58.8	
	55	1.80	19.8	22	64.7	
	60	1.80	19.8	24	70.6	
	65	2.00	32.0	26	76.5	
	70	2.00	32.0	28	82.4	
	80	2.00	32.0	32	94.1	
90	2.20	43.0	36	105.9		
100	2.20	43.0	40	117.7		
AL	20-20	1.60	10.4	8	23.5	•
	25	1.60	10.4	10	29.4	
	30	1.70	12.8	12	35.3	
	35	1.70	12.8	14	41.2	
	40	1.80	15.8	16	47.1	
	45	1.80	15.8	18	53.0	
	50	1.80	15.8	20	58.8	
	55	1.80	15.8	22	64.7	
	60	2.00	24.0	24	70.6	
	65	2.00	24.0	26	76.5	
	70	2.00	24.0	28	82.4	
	80	2.20	37.4	32	94.1	
90	2.20	37.4	36	105.9		
100	2.20	37.4	40	117.7		
AL	22-20	1.70	10.8	8	23.5	•
	25	1.80	13.3	10	29.4	
	30	1.80	13.3	12	35.3	
	35	1.80	13.3	14	41.2	

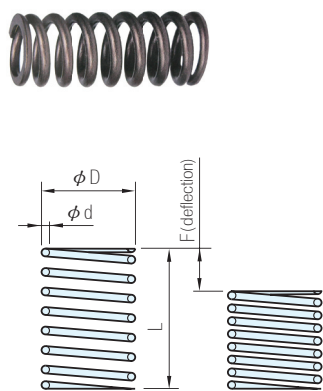
Part No.		d	Solid mm	F max	Load N/max	price
Type	D-L					
AL	22-40	2.00	20.0	16	47.1	•
	45	2.00	20.0	18	53.0	
	50	2.00	20.0	20	58.8	
	55	2.00	20.0	22	64.7	
	60	2.20	28.6	24	70.6	
	65	2.20	28.6	26	76.5	
	70	2.20	28.6	28	82.4	
	80	2.20	28.6	32	94.1	
	90	2.30	34.5	36	105.9	
	100	2.30	34.5	40	117.7	
	AL	27-30	2.10	14.0	12	
35		2.10	14.0	14	41.2	
40		2.30	19.0	16	47.1	
45		2.30	19.0	18	53.0	
50		2.30	19.0	20	58.8	
55		2.30	19.0	22	64.7	
60		2.50	28.0	24	70.6	
65		2.50	28.0	26	76.5	
70		2.60	34.5	28	82.4	
80		2.60	34.5	32	94.1	
90		2.80	46.7	36	105.9	
100	2.80	46.7	40	117.7		

Order : Del :
AL14-25

PS.

- Load(N)=Spring constant(N/mm)× deflection(mm)
- The solid height values are reference only
- No grinding on both ends of ★ mark
- temperature resistant is 80°C
- 1N=0.101972 kgf

RoHS



D		L	
≤13	>13	≤50	≥55
+0	+0	±1.5	±2.5
-0.5	-0.8		

Ma.	Co.
SWP-A	Nature

規格 D	AY	AR	AF	AL	AT	AM	AH	AB
2				0.5				
3	N/mm 0.1				N/mm 1.5	N/mm 2.0	2.9	3.9
4								4.9
5								
6								
8	N/mm 0.2	N/mm 0.3	N/mm 0.5	N/mm 1.0	N/mm 2.0	N/mm 2.9	N/mm 5.9	N/mm 9.8
10								
12								
13								
14							N/mm 9.8	N/mm 19.6
16								
18								29.4
20		N/mm 0.5	N/mm 1.0	N/mm 2.9	N/mm 3.9	N/mm 4.9	N/mm 14.7	
22								
27								N/mm 29.4
FMAX	F=LX75 %	F=LX60 %	F=LX45 %	F=LX40 %	F=LX40 %	F=LX35 %	F=LX30 %	F=LX25 %

■ AT:Fmax=LX40 %

Part No.	d	Solid	F	Load	price	Part No.	d	Solid	F	Load	price	Part No.	d	Solid	F	Load	price	
Type	D-L	mm	max	N/max		Type	D-L	mm	max	N/max		Type	D-L	mm	max	N/max		
AT	03-05*	0.30	1.73	2.0	2.9	AT	06-(60)	0.90	24.8	21.0	41.2	AT	13-45	1.20	11.1	18.0	35.3	.
	10*	0.40	5.00	4.0	5.9		(65)	0.90	26.1	22.7	44.5		50	1.30	15.6	20.0	39.2	
	15*	0.45	8.78	6.0	8.8		(70)	1.00	43.0	24.5	48.1		55	1.30	15.6	22.0	43.1	
	20*	0.45	8.78	8.0	11.8		(80)	1.00	43.0	28.0	54.9		60	1.30	15.6	24.0	47.1	
	25*	0.50	14.5	10.0	14.7		08-10	0.70	4.38	4.0	7.8		65	1.40	21.0	26.0	51.0	
	AT	04-05*	0.40	2.7	2.0	2.9	15	0.80	6.8	6.0	11.8	70	1.40	21.0	28.0	54.9	.	
		10*	0.40	2.7	4.0	5.9	20	0.80	6.8	8.0	15.7	80	1.40	21.0	32.0	62.8		
		15*	0.50	6.5	6.0	8.8	25	0.80	6.8	10.0	19.6	AT	16-15	1.20	7.5	6.0		11.8
		20	0.55	9.63	8.0	11.8	30	0.90	10.8	12.0	23.5		20	1.30	9.43	8.0		15.7
		25	0.55	9.63	10.0	14.7	35	0.90	10.8	14.0	27.5		25	1.40	12.6	10.0		19.6
30		0.60	15.0	12.0	17.7	40	1.00	17.5	16.0	31.4	30		1.40	12.6	12.0	23.5		
35		0.60	15.0	14.0	20.6	45	1.00	17.5	18.0	35.3	35		1.40	12.6	14.0	27.5		
AT		05-05*	0.45	2.36	2.0	3.9	50	1.00	17.5	20.0	39.2	40	1.40	12.6	16.0	31.4		.
		10*	0.50	3.25	4.0	7.8	55	1.10	27.5	22.0	43.1	45	1.60	22.4	18.0	35.3		
		15	0.60	6.3	6.0	11.8	60	1.10	27.5	24.0	47.1	50	1.60	22.4	20.0	39.2		
	20	0.60	6.3	8.0	15.7	65	1.10	27.5	26.0	51.0	55	1.60	22.4	22.0	43.1			
	25	0.70	12.6	10.0	19.6	70	1.10	27.5	28.0	54.9	60	1.70	28.9	24.0	47.1			
	30	0.70	12.6	12.0	23.5	80	1.20	42.0	32.0	62.8	65	1.70	28.9	26.0	51.0			
	35	0.75	17.3	14.0	27.5	AT	10-10	0.85	5.53	4.0	7.8	70	1.70	28.9	28.0	54.9		
	(40)	0.75	17.3	14.0	27.5		15	0.90	6.75	6.0	11.8	80	1.70	28.9	32.0	62.8		
	(45)	0.80	24.0	15.8	30.9		20	0.90	6.75	8.0	15.7	AT	18-20	1.60	10.8	8.0	31.4	
	(50)	0.80	24.0	17.5	34.3		25	1.00	10.0	10.0	19.6		25	1.70	13.6	10.0	39.2	
(55)	0.85	32.3	19.3	37.8	30		1.00	10.0	12.0	23.5	30		1.70	13.6	12.0	47.1		
(60)	0.85	32.3	21.0	41.2	35	1.00	10.0	14.0	27.5	35	1.70		13.6	14.0	54.9			
(65)	0.85	34.0	22.7	44.5	40	1.00	10.0	16.0	31.4	40	1.80		16.7	16.0	62.8			
AT	06-05*	0.50	2.38	2.0	3.9	45	1.10	14.3	18.0	35.3	45	1.90	20.5	18.0	70.6	.		
	10	0.60	4.35	4.0	7.8	50	1.10	14.3	20.0	39.2	50	1.90	20.5	20.0	78.5			
	15	0.60	4.35	6.0	11.8	55	1.20	21.6	22.0	43.1	55	2.00	26.0	22.0	86.3			
	20	0.70	7.7	8.0	15.7	60	1.20	21.6	24.0	47.1	60	2.00	26.0	24.0	94.1			
	25	0.70	7.7	10.0	19.6	65	1.20	21.6	26.0	51.0	65	2.00	26.0	26.0	102.0			
	30	0.80	14.0	12.0	23.5	70	1.30	32.5	28.0	54.9	70	2.00	26.0	28.0	109.8			
	35	0.80	14.0	14.0	27.5	80	1.30	32.5	32.0	62.8	80	2.10	31.5	32.0	125.5			
	40	0.85	18.7	16.0	31.4	AT	13-15	1.00	6.0	6.0	11.8	AT	22-20	1.80	11.3		8.0	31.4
	45	0.85	18.7	18.0	35.3		20	1.10	8.25	8.0	15.7		25	1.80	11.3		10.0	39.2
	50	0.90	24.8	20.0	39.2		25	1.10	8.25	10.0	19.6		30	1.90	13.3		12.0	47.1
(55)	0.90	24.8	19.0	37.8	30		1.20	11.1	12.0	23.5	35		1.90	13.3	14.0	54.9		
					35		1.20	11.1	14.0	27.5	40		2.00	16.0	16.0	62.8		

Part No.		d	Solid mm	F max	Load N/max	price
Type	D-L					
AT	22-50	2.10	19.5	20.0	78.5	•
	55	2.30	28.2	22.0	86.3	
	60	2.30	28.2	24.0	94.1	
	65	2.30	28.2	26.0	102.0	•
	70	2.30	28.2	28.0	109.8	
	80	2.40	33.6	32.0	125.5	
AT	27-30	2.10	13.2	12.0	47.1	
	35	2.30	17.9	14.0	54.9	
	40	2.30	17.9	16.0	62.8	•
	45	2.40	20.4	18.0	70.6	
	50	2.60	28.6	20.0	78.5	
	55	2.60	28.6	22.0	86.3	
	60	2.60	28.6	24.0	94.1	
	65	2.60	28.6	26.0	102.0	•
	70	2.80	39.2	28.0	109.8	
	80	2.80	39.2	32.0	125.5	

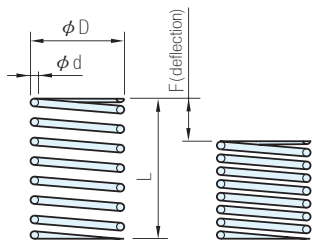
Order : Del :
AT22-50

PS.

- Load(N)=Spring constant(N/mm) × deflection(mm)
- The solid height values are reference only
- No grinding on both ends of ★ mark
- temperature resistant is 80°C
- 1N=0.101972 kgf

※(L)尺寸的容許壓縮量

AT5-40Fmax=L × 35%
 AT5-45Fmax=L × 35%
 AT5-50Fmax=L × 35%
 AT5-55Fmax=L × 35%
 AT5-60Fmax=L × 35%
 AT5-65Fmax=L × 35%
 AT5-70Fmax=L × 35%
 AT6-55Fmax=L × 35%
 AT6-60Fmax=L × 35%
 AT6-65Fmax=L × 35%
 AT6-70Fmax=L × 35%
 AT6-80Fmax=L × 35%



D		L	
≤13	>13	≤50	≥55
+0	+0	±1.5	±2.5
-0.5	-0.8		

Ma.	Co.
SWP-A	Nature

規格 D	AY	AR	AF	AL	AT	AM	AH	AB
2				0.5				
3	N/mm 0.1				N/mm 1.5	N/mm 2.0	2.9	3.9
4								4.9
5								
6								
8	N/mm 0.3		N/mm 0.5	N/mm 1.0	N/mm 2.0	N/mm 2.9	N/mm 5.9	N/mm 9.8
10								
12								
13								
14	N/mm 0.2				N/mm 2.0	N/mm 2.9	N/mm 9.8	N/mm 19.6
16								
18								
20								
22	N/mm 0.5	N/mm 1.0	N/mm 2.9	N/mm 3.9	N/mm 4.9	N/mm 14.7	N/mm 29.4	
27								
FMAX	F=LX75%	F=LX60%	F=LX45%	F=LX40%	F=LX40%	F=LX35%	F=LX30%	F=LX25%

■ AM:Fmax=LX35%

Part No.	Type	D-L	d	Solid mm	F max	Load N/max	price	Part No.	Type	D-L	d	Solid mm	F max	Load N/max	price	Part No.	Type	D-L	d	Solid mm	F max	Load N/max	price		
																								AM	AM
03-05*	AM		0.35	2.5	1.8	3.4	.	06-55	AM		1.00	31.0	19.2	55.9	.	12-35	AM		1.20	10.2	12.2	35.3	.		
10*		0.38	3.3	3.5	6.9	(60)		1.00	31.0	18.0	53.0	40	1.30	14.3		14.0	41.2								
15*		0.45	7.0	5.3	10.3	(65)		1.00	31.0	18.8	54.9	45	1.30	14.3		15.8	46.1								
20*		0.50	11.5	7.0	13.7	(70)		1.10	47.3	20.0	58.8	50	1.30	14.3		17.5	51.0								
(25)		0.50	11.5	7.5	14.7	(80)		1.10	48.4	22.4	65.9	55	1.40	19.6		19.2	55.9								
(30)		0.55	20.4	9.0	17.7	08-10	0.75	4.2	3.5	9.8	60	1.40	19.6	21.0	61.8	13-10	AM		1.00	5.0	3.5	10.3	.		
04-05*	AM		0.40	2.3	1.7	3.9	15	0.90	8.5	5.2	14.7	65	1.50	26.3	22.7	64.7	15	1.20	8.4	5.2	14.7	.			
10*		0.45	3.4	3.5	6.9	20	0.90	8.5	7.0	20.6	70	1.50	26.3	24.5	71.6	20	1.30	11.7	7.0	20.6	.				
15*		0.50	5.1	5.2	10.8	25	0.90	8.5	8.7	25.5	75	1.50	26.3	27.0	78.4	25	1.30	11.7	8.7	25.5				.	
20		0.55	7.7	7.0	13.7	30	0.90	8.5	10.5	30.4	80	1.60	36.8	28.0	82.4	30	1.40	14.5	10.5	30.4					.
25		0.60	11.7	8.7	17.7	35	1.00	13.0	12.2	35.3	13-10	1.00	5.0	3.5	10.3	35	1.40	14.5	12.2	35.3			.		
30		0.60	11.7	10.5	20.6	40	1.00	13.0	14.0	41.2	15	1.20	8.4	5.2	14.7	40	1.40	14.5	14.0	41.2		.			
35		0.65	17.6	12.2	24.0	45	1.10	19.8	15.8	46.1	20	1.30	11.7	7.0	20.6	45	1.40	14.5	15.8	46.1	.				
(40)		0.65	17.6	12.0	23.5	50	1.10	19.8	17.5	51.0	25	1.30	11.7	8.7	25.5	50	1.40	14.5	17.5	51.0				.	
05-05*	AM		0.50	2.8	1.7	4.9	55	1.20	31.2	19.2	55.9	30	1.40	14.5	12.2	35.3	55	1.40	14.5	12.2					35.3
10		0.60	4.2	3.5	9.8	60	1.20	31.2	21.0	61.8	40	1.40	14.5	14.0	41.2	60	1.50	22.5	21.0	61.8			.		
15		0.65	6.5	5.2	14.7	65	1.20	31.2	22.7	64.7	70	1.50	26.3	22.7	64.7	65	1.60	28.8	22.7	64.7		.			
20		0.65	6.5	7.0	20.6	70	1.20	31.2	24.5	71.6	75	1.40	14.5	15.8	51.0	70	1.60	28.8	24.5	71.6	.				
25		0.70	9.1	8.7	25.5	80	1.30	44.2	28.0	82.4	80	1.70	37.4	28.0	82.4	75	1.70	37.4	28.0	82.4				.	
30		0.75	12.7	10.5	30.4	10-10	0.90	5.2	3.5	9.8	80	1.70	37.4	31.5	92.9	80	1.70	37.4	31.5	92.9					.
35		0.80	17.4	12.2	35.3	15	1.00	7.7	5.2	14.7	10-10	0.90	5.2	3.5	9.8	85	1.70	37.4	31.5	92.9			.		
40		0.85	23.8	14.0	41.2	20	1.00	7.7	7.0	20.6	15	1.00	7.7	7.0	20.6	90	1.70	37.4	31.5	92.9		.			
45		0.85	23.8	15.8	46.1	25	1.10	11.0	8.7	25.5	20	1.00	7.7	7.0	20.6	95	1.70	37.4	31.5	92.9	.				
(50)		0.90	23.8	15.0	43.5	30	1.10	11.0	10.5	30.4	25	1.10	11.0	8.7	25.5	14-15	1.20	7.5	5.2	14.7				.	
(55)		0.90	30.0	16.5	49.0	35	1.20	16.2	12.2	35.3	30	1.20	16.2	14.0	41.2	20	1.30	9.8	7.0	20.6					.
(60)		0.90	30.0	18.0	53.0	40	1.20	16.2	14.0	41.2	35	1.30	22.1	15.8	46.1	25	1.40	13.3	8.7	25.5			.		
(65)		0.90	30.0	17.6	52.0	45	1.30	22.1	17.5	51.0	40	1.40	13.3	10.5	30.4	30	1.40	13.3	10.5	30.4		.			
(70)		0.90	30.0	19.6	58.8	50	1.30	22.1	19.2	55.9	45	1.40	13.3	12.2	35.3	35	1.40	13.3	12.2	35.3	.				
06-05*	AM		0.55	2.8	1.7	4.9	55	1.30	22.1	19.2	55.9	60	1.40	13.3	14.0	41.2	40	1.40	13.3	14.0				41.2	
10		0.65	4.7	3.5	9.8	60	1.40	32.1	21.0	61.8	65	1.40	13.3	15.8	46.1	45	1.50	17.3	15.8	46.1				.	
15		0.75	8.0	5.2	14.7	65	1.40	32.1	22.7	64.7	70	1.40	13.3	17.5	51.0	50	1.50	17.3	17.5	51.0			.		
20		0.75	8.0	7.0	20.6	70	1.40	32.1	24.5	71.6	75	1.50	17.3	19.2	55.9	55	1.50	17.3	19.2	55.9		.			
25		0.85	13.6	8.7	25.5	80	1.40	32.2	28.0	82.4	80	1.60	23.2	21.0	61.8	60	1.60	23.2	21.0	61.8	.				
30		0.85	13.6	10.5	30.4	12-10	1.00	5.5	3.5	10.3	85	1.60	23.2	22.7	64.7	65	1.60	23.2	22.7	64.7					.
35		0.90	18.0	12.2	35.3	15	1.10	7.4	5.2	14.7	90	1.60	23.2	24.5	71.6	70	1.70	30.6	24.5	71.6				.	
40		0.90	18.0	14.0	41.2	20	1.10	7.4	7.0	20.6	95	1.60	23.2	28.0	82.4	75	1.70	30.6	28.0	82.4			.		
45		0.90	18.0	15.8	46.1	25	1.10	7.4	8.7	25.5	100	1.60	23.2	31.5	92.9	80	1.70	30.6	28.0	82.4		.			
50		0.90	18.0	17.5	51.0	30	1.20	10.2	10.5	30.4	100	1.80	39.6	31.5	92.7	85	1.70	30.6	28.0	82.4	.				

Part No.		d	Solid mm	F max	Load N/max	price
Type	D-L					
AM	16-15	1.30	7.8	5.2	14.7	•
	20	1.40	9.8	7.0	20.6	
	25	1.50	12.5	8.7	25.5	
	30	1.50	12.5	10.5	30.4	
	35	1.60	15.0	12.2	35.3	
	40	1.60	15.0	14.0	41.2	
	45	1.70	20.4	15.8	46.1	
	50	1.70	20.4	17.5	51.0	
	55	1.80	27.0	19.2	55.9	
	60	1.80	27.0	21.0	61.8	
	65	1.80	27.0	22.7	64.7	
	70	1.80	27.0	24.5	71.6	
AM	80	1.80	27.0	28.0	82.4	
	90	1.90	34.2	31.5	92.7	
	18-20	1.70	11.9	7.0	34.3	
	25	1.80	14.4	8.7	42.2	
	30	1.80	14.4	10.5	51.0	
	35	1.80	14.4	12.2	59.8	
	40	1.80	14.4	14.0	68.6	
	45	2.00	22.0	15.8	77.5	
	50	2.00	22.0	17.5	85.3	
	55	2.00	22.0	19.2	94.1	
AM	60	2.00	22.0	21.0	103.0	
	65	2.20	34.1	22.7	110.8	
	70	2.20	34.1	24.5	119.6	
	80	2.20	34.1	28.0	137.3	
	90	2.30	41.4	31.5	154.0	
	100	2.30	41.4	35.0	171.6	
	AM	20-20	1.80	11.7	7.0	34.3
		25	1.80	11.7	8.7	42.2
		30	1.90	14.3	10.5	51.0
		35	1.90	14.3	12.2	59.8
40		1.90	14.3	14.0	68.6	
45		2.00	17.0	15.8	77.5	
50		2.00	17.0	17.5	85.3	
55		2.20	24.8	19.2	94.1	
60		2.20	24.8	21.0	103.0	
65		2.20	24.8	22.7	110.8	
70		2.20	24.8	24.5	119.6	
80		2.40	36.0	28.0	137.3	
AM	90	2.40	36.0	31.5	154.0	
	100	2.40	36.0	35.0	171.6	
	22-20	1.90	12.0	7.0	34.3	
	25	2.00	14.0	8.7	42.2	
	30	2.00	14.0	10.5	51.0	
	35	2.00	14.0	12.2	59.8	
	40	2.00	14.0	14.0	68.6	
	45	2.30	23.0	15.8	77.5	
	50	2.30	23.0	17.5	85.3	
	55	2.30	23.0	19.2	94.1	
AM	60	2.30	23.0	21.0	103.0	
	65	2.40	30.0	22.7	110.8	
	70	2.40	30.0	24.5	119.6	
	80	2.40	30.0	28.0	137.3	
	90	2.60	40.0	31.5	154.0	
	100	2.60	40.0	35.0	171.6	
	AM	27-30	2.30	14.0	10.5	51.0
		35	2.40	17.0	12.2	59.8

Part No.		d	Solid mm	F max	Load N/max	price
Type	D-L					
AM	27-40	2.40	17.0	14.0	68.6	
	45	2.40	18.0	15.8	77.5	
	50	2.60	23.0	17.5	85.3	
	55	2.60	23.0	19.2	94.1	
	60	2.60	23.0	21.0	103.0	
	65	2.80	31.0	22.7	110.8	
	70	2.80	31.0	24.5	119.6	
	80	2.80	31.0	28.0	137.3	
	90	3.00	43.5	31.5	154.0	
	100	3.00	43.5	35.0	171.6	

Order : Del :
AM16-15

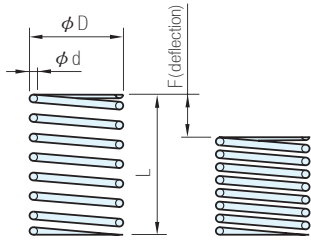
PS.

- Load(N)=Spring constant(N/mm) × deflection(mm)
- The solid height values are reference only
- No grinding on both ends of ★ mark
- temperature resistant is 80°C
- 1N=0.101972 kgf

※(L)尺寸的容許壓縮量

- AM3-25Fmax=L × 30%
- AM3-30Fmax=L × 30%
- AM4-40Fmax=L × 30%
- AM5-50Fmax=L × 30%
- AM5-55Fmax=L × 30%
- AM5-60Fmax=L × 30%
- AM5-65Fmax=L × 27%
- AM5-70Fmax=L × 28%
- AM6-60Fmax=L × 30%
- AM6-65Fmax=L × 29%
- AM6-70Fmax=L × 28%
- AM6-80Fmax=L × 28%

RoHS



D		L	
≤ 13	> 13	≤ 50	≥ 55
+0	+0	± 1.5	± 2.5
-0.5	-0.8		

Ma.	Co.
SWP-A	Nature

規格 D	AY	AR	AF	AL	AT	AM	AH	AB
2				0.5				
3	N/mm 0.1				N/mm 1.5	N/mm 2.0	2.9	3.9
4								4.9
5								
6	N/mm 0.2	N/mm 0.3	N/mm 0.5	N/mm 1.0	N/mm 2.0	N/mm 2.9	N/mm 5.9	N/mm 9.8
8								
10								
12	N/mm 0.5	N/mm 1.0	N/mm 2.9	N/mm 3.9	N/mm 4.9	N/mm 14.7	N/mm 19.6	29.4
13								
14								
16								
18								
20								
22								
27								N/mm 29.4
FMAX	F=LX75 %	F=LX60 %	F=LX45 %	F=LX40 %	F=LX40 %	F=LX35 %	F=LX30 %	F=LX25 %

■ AH:Fmax=LX30 %

Part No.	Type	D-L	d	Solid	F	Load	price	Part No.	Type	D-L	d	Solid	F	Load	price	Part No.	Type	D-L	d	Solid	F	Load	price
			mm	mm	max	N/max					mm	mm	max	N/max				mm	mm	max	N/max		
04-05*	AH		0.45	2.7	1.5	4.9	•	08-60	AH		1.40	35.0	18.0	105.9	•	13-45	AH		1.90	25.0	13.5	132.4	•
10*			0.45	2.7	3.0	8.8		(65)			1.40	35.0	17.0	100.0		50		1.90	25.0	15.0	147.1		
15			0.55	5.8	4.5	13.7		(70)			1.40	35.0	19.0	111.8		55		2.00	30.0	16.5	161.8		
20			0.60	8.4	6.0	17.7		10-10		1.00	5.4	3.0	17.7		60	2.00		30.0	18.0	176.5			
25			0.65	12.4	7.5	22.6	•	15		1.10	7.0	4.5	26.5		65	2.10		39.0	19.5	191.2	•		
30		0.65	12.4	9.0	26.5		20		1.20	9.6	6.0	35.3		70	2.10	39.0		21.0	205.9				
05-05*	AH		0.60	3.3	1.5	8.8		25		1.20	9.6	7.5	44.1		80	2.10		39.0	24.0	235.4			
10			0.70	5.5	3.0	17.7	•	30		1.30	13.9	9.0	53.0	•	14-15			1.60	10.4	4.5	44.1		
15			0.75	7.5	4.5	26.5		35		1.40	18.0	10.5	61.8		20	1.60	10.4	6.0	58.8				
20			0.75	7.5	6.0	35.3		40		1.40	18.0	12.0	70.6		25	1.60	10.4	7.5	73.5				
25			0.85	13.6	7.5	44.1		45		1.50	25.0	13.5	79.4		30	1.70	12.8	9.0	88.3				
(30)			0.85	13.6	7.5	44.3		50		1.50	25.0	15.0	88.3		35	1.70	12.8	10.5	103.0	•			
(35)			0.90	17.1	8.8	51.6	•	55		1.50	25.0	16.5	97.1		40	1.90	20.0	12.0	117.7				
(40)		0.90	17.1	8.8	51.9		60		1.50	25.0	18.0	105.9		45	1.90	20.0	13.5	132.4					
06-05*	AH		0.65	3.3	1.5	8.8		65		1.60	35.0	19.5	114.7	•	50	2.10	30.5	15.0	147.1				
10			0.75	5.2	3.0	17.7	•	70		1.60	35.0	21.0	123.6		55	2.10	30.5	16.5	161.8				
15			0.80	6.4	4.5	26.5		80		1.70	45.9	24.0	141.0		60	2.10	30.5	18.0	176.5				
20			0.90	9.9	6.0	35.3		12-10		1.20	6.9	3.0	17.7		65	2.20	37.4	19.5	191.2	•			
25			0.90	9.9	7.5	44.1		15		1.30	9.1	4.5	26.5		70	2.20	37.4	21.0	205.9				
30			1.00	16.0	9.0	53.0		20		1.30	9.1	6.0	35.3		80	2.30	47.2	24.0	235.4				
35			1.00	16.0	10.5	61.8	•	25		1.30	9.1	7.5	44.1		16-15		1.70	10.2	4.5	44.1			
40			1.10	25.0	12.0	70.6		30		1.40	11.9	9.0	53.0	•	20	1.80	12.6	6.0	58.8				
(45)			1.10	25.0	11.3	66.7		35		1.40	11.9	10.5	61.8		25	1.90	14.5	7.5	73.5				
(50)			1.20	39.6	10.0	58.8		40		1.50	15.4	12.0	70.6		30	1.90	14.5	9.0	88.3				
(55)			1.20	39.6	14.5	85.3		45		1.50	15.4	13.5	79.4		35	2.00	18.0	10.5	103.0	•			
(60)			1.20	39.6	14.0	82.4	•	50		1.60	20.4	15.0	88.3		40	2.10	21.0	12.0	117.7				
(65)			1.20	39.6	14.0	82.4		55		1.60	20.4	16.5	97.1		45	2.20	26.0	13.5	132.4				
(70)			1.20	39.6	15.0	88.3		60		1.70	26.8	18.0	105.9		50	2.20	26.0	15.0	147.1				
08-10	AH		0.90	5.4	3.0	17.7		65		1.70	26.8	19.5	114.7	•	55	2.20	26.0	16.5	161.8				
15			1.00	8.0	4.5	26.5	•	70		1.80	35.1	21.0	123.6		60	2.30	32.0	18.0	176.5				
20			1.10	11.5	6.0	35.3		80		1.90	45.6	24.0	141.0		65	2.30	32.0	19.5	191.2	•			
25			1.10	11.5	7.5	44.1		13-10		1.30	6.2	3.0	29.4		70	2.40	38.0	21.0	205.9				
30			1.20	16.8	9.0	53.0		15		1.50	9.3	4.5	44.1		80	2.50	47.5	24.0	235.4				
35			1.20	16.8	10.5	61.8	•	20		1.60	12.3	6.0	58.8		18-20		2.10	12.6	6.0	88.3			
40			1.20	16.8	12.0	70.6		25		1.60	12.3	7.5	73.5	•	25	2.20	15.4	7.5	109.8				
45			1.30	24.7	13.5	79.4		30		1.70	15.0	9.0	88.3		30	2.20	15.4	9.0	132.4	•			
50			1.30	24.7	15.0	88.3		35		1.70	15.0	10.5	103.0		35	2.30	18.4	10.5	154.0				
55			1.40	35.0	16.5	97.1	•	40		1.80	19.0	12.0	117.7		40	2.40	21.6	12.0	176.5				

Part No.		d	Solid mm	F max	Load N/max	price
Type	D-L					
AH	18-45	2.50	25.0	13.5	199.1	•
	50	2.50	25.0	15.0	220.6	
	55	2.60	30.0	16.5	242.2	
	60	2.60	30.0	18.0	264.8	
	65	2.80	42.0	19.5	286.4	
	70	2.80	42.0	21.0	308.9	
	80	2.90	49.3	24.0	353.0	
	(90)	3.00	57.0	26.1	397.2	
	(100)	3.00	57.0	24.0	441.3	
	AH	20-20	2.20	12.7	6.0	
25		2.30	15.0	7.5	109.8	
30		2.30	15.0	9.0	132.4	
35		2.50	20.0	10.5	154.0	
40		2.50	20.0	12.0	176.5	
45		2.50	20.0	13.5	199.1	
50		2.60	22.8	15.0	220.6	
55		2.60	22.8	16.5	242.2	
60		2.80	30.8	18.0	264.8	
65		2.80	30.8	19.5	286.4	
70		3.00	42.0	21.0	308.9	
80		3.00	42.0	24.0	353.0	
90		3.20	56.8	27.0	397.2	
100		3.20	56.8	30.0	441.3	
AH	22-20	2.30	12.7	6.0	88.3	•
	25	2.50	16.7	7.5	109.8	
	30	2.50	16.7	9.0	132.4	
	35	2.60	18.2	10.5	154.0	
	40	2.80	25.0	12.0	176.5	
	45	2.80	25.0	13.5	199.1	
	50	2.80	25.0	15.0	220.6	
	55	3.00	33.0	16.5	242.2	
	60	3.00	33.0	18.0	264.8	
	65	3.00	33.0	19.5	286.4	
	70	3.20	43.0	21.0	308.9	
	80	3.20	43.0	24.0	353.0	
	(90)	3.20	43.0	26.1	397.2	
(100)	3.50	64.4	26.0	441.3		
AH	27-30	2.80	16.8	9.0	132.4	•
	35	2.80	16.8	10.5	154.0	
	40	2.90	18.8	12.0	176.5	
	45	2.90	19.4	13.5	199.1	
	50	3.20	25.5	15.0	220.6	
	55	3.20	25.5	16.5	242.2	
	60	3.50	35.5	18.0	264.8	
	65	3.50	35.5	19.5	286.4	
	70	3.50	35.5	21.0	308.9	
	80	3.50	35.5	24.0	353.0	
	90	3.50	35.5	27.0	397.2	
100	4.00	68.0	30.0	441.3		

PS.

- Load(N)=Spring constant(N/mm) × deflection(mm)
- The solid height values are reference only
- No grinding on both ends of ★ mark
- temperature resistant is 80°C
- 1N=0.101972 kgf

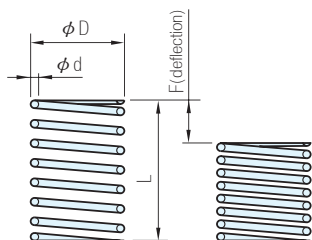
※(L)尺寸的容許壓縮量

- AH 5- 30Fmax=L × 25%
- AH 5- 35Fmax=L × 25%
- AH 5- 40Fmax=L × 22%
- AH 6- 45Fmax=L × 25%
- AH 6- 50Fmax=L × 20%
- AH 6- 55Fmax=L × 26%
- AH 6- 60Fmax=L × 23%
- AH 6- 65Fmax=L × 21%
- AH 6- 70Fmax=L × 21%
- AH 8- 65Fmax=L × 26%
- AH 8- 70Fmax=L × 27%
- AH18- 90Fmax=L × 29%
- AH18-100Fmax=L × 24%
- AH22- 90Fmax=L × 29%
- AH22-100Fmax=L × 26%

Order : Del :
AH18-45



彈簧配件



D		L	
≤13	>13	≤50	≥55
+0	+0	±1.5	±2.5
-0.5	-0.8		

Ma.	Co.
SWP-A	Nature

規格 D	AY	AR	AF	AL	AT	AM	AH	AB
2				0.5				
3	N/mm 0.1				N/mm 1.5	N/mm 2.0	2.9	3.9
4								4.9
5								
6	N/mm 0.2	N/mm 0.3	N/mm 0.5	N/mm 1.0			N/mm 5.9	N/mm 9.8
8								
10								
12	N/mm 0.5	N/mm 1.0	N/mm 2.0	N/mm 2.0	N/mm 3.9	N/mm 4.9	N/mm 14.7	N/mm 19.6
13								
14								
16								29.4
18								
20								
22								
27								N/mm 29.4
F _{MAX}	F=LX75 %	F=LX60 %	F=LX45 %	F=LX40 %	F=LX40 %	F=LX35 %	F=LX30 %	F=LX25 %

■ AB:Fmax=LX25 %

Part No.	d	Solid	F	Load	price	Part No.	d	Solid	F	Load	price	Part No.	d	Solid	F	Load	price	
Type	D-L	mm	max	N/max		Type	D-L	mm	max	N/max		Type	D-L	mm	max	N/max		
AB	03-05*	0.40	3.2	1.3	4.9	AB	06-35	1.10	20.0	8.8	86.3	AB	12-15	1.40	7.7	3.8	36.3	
	10*	0.50	6.5	2.5	9.8		40	1.20	28.0	10.0	98.1		20	1.60	12.5	5.0	49.0	
	15*	0.55	10.5	3.8	14.7		45	1.20	30.0	11.3	110.8		25	1.60	13.6	6.3	60.8	
	20*	0.55	12.7	5.0	19.6		50	1.20	32.0	12.5	122.6		30	1.70	18.0	7.5	73.5	
	25*	0.60	17.4	6.3	24.5		55	1.20	32.0	13.8	135.3		35	1.80	22.5	8.8	85.3	
	30*	0.60	21.0	7.5	29.4		60	1.30	43.0	15.0	147.1		40	1.80	24.0	10.0	98.1	
	35*	0.65	24.0	8.8	34.3		65	1.30	46.0	16.3	159.8		45	1.80	24.0	11.3	109.8	
40*	0.65	27.0	10.0	39.2	70	1.30	50.0	17.5	171.6	50	2.00	34.0	12.5	122.6				
AB	04-05*	0.50	3.0	1.3	5.9	AB	80	1.40	57.0	20.0	196.1	AB	55	2.00	38.0	13.8	134.4	
	10	0.60	6.0	2.5	12.3		08-10	1.00	6.0	2.5	24.5		60	2.00	40.0	15.0	147.1	
	15	0.65	9.8	3.8	18.1		15	1.20	10.8	3.8	37.3		65	2.00	42.0	16.3	158.9	
	20	0.70	12.6	5.0	24.5		20	1.20	11.5	5.0	49.0		70	2.10	48.5	17.5	171.6	
	25	0.75	16.5	6.3	30.4		25	1.30	17.0	6.3	61.8		80	2.10	52.5	20.0	196.1	
	30	0.75	20.3	7.5	36.8		30	1.30	17.0	7.5	73.5		AB	13-10	1.60	6.4	2.5	49.0
	35	0.80	24.0	8.8	43.1		35	1.40	24.5	8.8	86.3			15	1.80	11.0	3.8	74.5
40	0.80	28.0	10.0	49.0	40	1.40	25.2	10.0	98.1	20	1.80	11.0		5.0	98.1			
45	0.80	29.0	11.3	55.4	45	1.50	32.0	11.3	110.8	25	2.00	17.0		6.3	123.6			
50	0.85	34.0	12.5	61.3	50	1.50	33.0	12.5	122.6	30	2.00	18.0	7.5	147.1				
AB	05-05*	0.65	3.3	1.3	12.7	AB	55	1.50	36.5	13.8	135.3	AB	35	2.10	22.0	8.8	172.6	
	10	0.80	7.0	2.5	24.5		60	1.50	36.5	15.0	147.1		40	2.10	22.0	10.0	196.1	
	15	0.80	7.0	3.8	37.3		65	1.60	48.0	16.3	159.8		45	2.30	32.0	11.3	221.6	
	20	0.90	13.0	5.0	49.0		70	1.60	48.0	17.5	171.6		50	2.30	32.0	12.5	245.2	
	25	0.90	13.0	6.3	61.8		80	1.60	55.0	20.0	196.1		55	2.40	40.0	13.8	270.7	
	30	1.00	21.0	7.5	73.5		AB	10-10	1.20	6.0	2.5		24.5	60	2.40	42.0	15.0	294.2
	35	1.00	25.0	8.8	86.3			15	1.30	8.5	3.8		37.3	65	2.40	42.0	16.3	319.7
	40	1.00	25.0	10.0	98.1			20	1.40	12.0	5.0		49.0	70	2.50	50.0	17.5	343.2
	45	1.10	31.0	11.3	110.8			25	1.50	16.5	6.3		61.8	80	2.50	50.0	20.0	392.3
	50	1.10	34.0	12.5	122.6		30	1.50	17.0	7.5	73.5		AB	14-15	1.80	9.0	3.8	72.6
55	1.10	39.0	13.8	135.3	35	1.60	23.0	8.8	86.3	20	2.00	13.0		5.0	98.1			
60	1.10	43.0	15.0	147.1	40	1.60	24.0	10.0	98.1	25	2.00	14.0		6.3	121.6			
65	1.20	46.0	16.3	159.8	45	1.70	30.0	11.3	110.8	30	2.10	18.0		7.5	147.1			
70	1.20	50.0	17.5	171.6	50	1.70	31.5	12.5	122.6	35	2.10	23.0	8.8	170.6				
AB	06-05*	0.70	3.5	1.3	12.7	AB	55	1.80	40.0	13.8	135.3	AB	40	2.30	26.3	10.0	196.1	
	10	0.80	7.0	2.5	24.5		60	1.80	40.0	15.0	147.1		45	2.30	27.6	11.3	219.7	
	15	0.90	7.5	3.8	37.3		65	1.80	43.0	16.3	159.8		50	2.40	31.0	12.5	245.2	
	20	1.00	11.5	5.0	49.0		70	1.80	43.0	17.5	171.6		55	2.50	37.5	13.8	268.7	
	25	1.10	17.5	6.3	61.8		80	1.80	54.0	20.0	196.1		60	2.50	41.0	15.0	294.2	
	30	1.10	19.5	7.5	73.5		AB	12-10	1.40	6.5	2.5		24.5	65	2.50	43.5	16.3	317.7

Part No.		d	Solid mm	F max	Load N/max	price
Type	D-L					
AB	14-70	2.60	48.0	17.5	343.2	•
	80	2.60	52.0	20.0	392.3	
AB	16-15	2.00	10.0	3.8	74.5	•
	20	2.10	12.5	5.0	98.1	
	25	2.30	17.0	6.3	123.6	
	30	2.30	18.5	7.5	147.1	
	35	2.40	21.5	8.8	172.6	
	40	2.40	21.5	10.0	196.1	
	45	2.50	27.5	11.3	221.6	
	50	2.50	27.5	12.5	245.2	
	55	2.60	32.0	13.8	270.7	
	60	2.60	32.0	15.0	294.2	
	65	2.80	46.0	16.3	319.7	
	70	2.80	46.0	17.5	343.2	
80	2.90	55.0	20.0	392.3		
AB	18-20	2.50	13.5	5.0	147.1	•
	25	2.60	17.0	6.3	185.3	
	30	2.60	17.0	7.5	220.6	
	35	2.80	23.5	8.8	258.9	
	40	2.90	27.5	10.0	294.2	
	45	2.90	27.5	11.3	332.4	
	50	3.00	33.0	12.5	367.7	
	55	3.00	33.0	13.8	406.0	
	60	3.20	43.0	15.0	441.3	
	65	3.20	44.5	16.3	479.5	
	70	3.20	44.5	17.5	514.8	
	80	3.40	58.0	20.0	588.4	
90	3.40	61.0	22.5	661.9		
100	3.50	71.0	25.0	735.5		
AB	22-20	2.80	13.5	5.0	147.1	•
	25	2.90	16.0	6.3	185.3	
	30	3.00	18.0	7.5	220.6	
	35	3.00	18.0	8.8	258.9	
	40	3.20	24.0	10.0	294.2	
	45	3.20	24.0	11.3	332.4	
	50	3.50	36.0	12.5	367.7	
	55	3.50	36.0	13.8	406.0	
	60	3.50	36.0	15.0	441.3	
	65	3.60	45.0	16.3	479.5	
	70	3.60	45.0	17.5	514.8	
	80	3.80	57.0	20.0	588.4	
90	3.80	57.0	22.5	661.9		
100	4.00	72.0	25.0	735.5		
AB	27-30	3.50	19.0	7.5	220.6	•
	35	3.60	21.0	8.8	258.9	
	40	3.60	21.0	10.0	294.2	
	45	3.80	30.0	11.3	332.4	
	50	3.80	30.0	12.5	367.7	
	55	4.00	38.0	13.8	406.0	
	60	4.00	38.0	15.0	441.3	
	65	4.00	38.0	16.3	479.5	
	70	4.00	38.0	17.5	514.8	
	80	4.50	57.0	20.0	588.4	
90	4.50	63.0	22.5	661.9		
100	4.50	67.0	25.0	735.5		

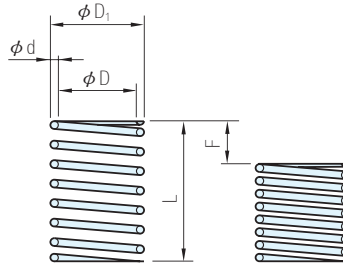
PS.

- Load(N)=Spring constant(N/mm) × deflection(mm)
- The solid height values are reference only
- No grinding on both ends of ★ mark
- temperature resistant is 80°C
- 1N=0.101972 kgf

Order : Del :

AB14-70

RoHS



D		L	
≤8.5	≥10.6	≤50	≥60
±0.3	±0.4	±1	±2

彈簧配件

Type	Ma.	Co.
NAL · NAM	SWP-A	Nature

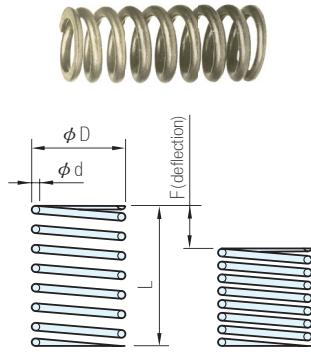
Pin Dia	Part No.	D ₁	D	d	L	F	Solid	C	F=L×40%		price	Pin Dia	Part No.	D ₁	D	d	L	F	Solid	C	F=L×32%		price
									Load	N(max)											Load	N(max)	
Type	D-L	mm	mm	mm	mm	max	mm	N/mm				Type	D-L	mm	mm	mm	mm	max	mm	N/mm			
5	NAL	7.0	5.5	0.75	5.5-30	30	12	10.9	1.1	13.7	•	5	NAM	7.3	5.5	0.9	5.5-30	30	9.6	13.1	2.1	20.6	•
					35	14	12.0	1.0	35								11.2	14.9	1.8				
					40	16	13.5	0.9	40								12.8	16.2	1.6				
					45	18	15.0	0.8	45								14.4	18.0	1.4				
					50	20	16.5	0.7	50								16.0	19.8	1.3				
6	NAL	8.1	6.5	0.8	6.5-30	30	12	9.6	1.1	13.7	•	6	NAM	8.5	6.5	1.0	6.5-30	30	9.6	14.0	2.1	20.6	•
					35	14	10.8	1.0	35								11.2	15.5	1.8				
					40	16	12.0	0.9	40								12.8	17.5	1.6				
					45	18	13.2	0.8	45								14.4	19.5	1.4				
					50	20	14.4	0.7	50								16.0	21.0	1.3				
8	NAL	10.5	8.5	1.0	8.5-30	30	12	9.8	1.7	20.6	•	8	NAM	10.7	8.5	1.1	8.5-30	30	9.6	9.4	2.9	27.5	•
					35	14	10.8	1.5	35								11.2	10.5	2.5				
					40	16	12.0	1.3	40								12.8	11.6	2.1				
					45	18	13.0	1.1	45								14.4	12.7	1.9				
					50	20	14.0	1.0	50								16.0	13.8	1.7				
					60	24	16.5	0.9	60								19.2	16.0	1.4				
10	NAL	12.8	10.6	1.1	10.6-30	30	12	9.1	1.7	20.6	•	10	NAM	13.2	10.6	1.3	10.6-30	30	9.6	11.4	2.9	27.5	•
					35	14	9.9	1.5	35								11.2	12.7	2.5				
					40	16	11.0	1.3	40								12.8	14.0	2.1				
					45	18	12.1	1.1	45								14.4	15.3	1.9				
					50	20	12.7	1.0	50								16.0	16.6	1.7				
					60	24	14.9	0.9	60								19.2	19.2	1.4				
13	NAL	16.4	13.6	1.4	13.6-35	35	14	12.3	2.0	27.5	•	13	NAM	16.8	13.6	1.6	13.6-35	35	11.2	14.4	3.1	34.3	•
					40	16	13.3	1.7	40								12.8	15.6	2.7				
					45	18	14.7	1.5	45								14.4	17.2	2.4				
					50	20	15.8	1.4	50								16.0	18.4	2.1				
					60	24	18.2	1.1	60								19.2	20.8	1.8				
16	NAL	19.8	16.6	1.6	16.6-35	35	14	13.6	2.0	27.5	•	16	NAM	20.2	16.6	1.8	16.6-35	35	11.2	15.3	3.1	34.3	•
					40	16	14.8	1.7	40								12.8	16.7	2.7				
					45	18	16.0	1.5	45								14.4	18.5	2.4				
					50	20	17.2	1.4	50								16.0	19.4	2.1				
					60	24	20.0	1.1	60								19.2	22.5	1.8				

PS.

- Load(N)=Spring constant(N/mm) × deflection(mm)
- The solid height values are reference only
- temperature resistant is 80°C
- 1N=0.101972 kgf
- All NAL/NAM are grinded on both ends

Order : Del :

NAL5.5-30



D		L	
≤10	≥12	≤50	≥55
+0	+0	±1.5	±2.5
-0.5	-0.8		

TYPE	OV	OY	OR	OF	OL	OT	OM	OH	OB
D									
2		0.05	0.2	0.3	0.5				
3	N/mm 0.05	N/mm 0.098	N/mm 0.29	N/mm 0.49	N/mm 0.98	N/mm 1.5	N/mm 2.0	N/mm 2.9	N/mm 4.9
4									
5									
6	N/mm 0.2	N/mm 0.2	N/mm 0.29	N/mm 0.49	N/mm 0.98	N/mm 1.5	N/mm 2.0	N/mm 2.9	N/mm 4.9
8									
10									
12	N/mm 0.2	N/mm 0.2	N/mm 0.29	N/mm 0.49	N/mm 0.98	N/mm 1.5	N/mm 2.0	N/mm 2.9	N/mm 4.9
13									
14									
16	N/mm 0.2	N/mm 0.2	N/mm 0.29	N/mm 0.49	N/mm 0.98	N/mm 1.5	N/mm 2.0	N/mm 2.9	N/mm 4.9
20									
F MAX	F=LX70%	F=LX75%	F=LX60%	F=LX45%	F=LX40%	F=LX40%	F=LX35%	F=LX30%	F=LX25%

OR:Fmax=LXFa %

Ma	Co.
SUS	Nature

Part No.		d	Solid mm	F max	Load N/max	Fa %	price	Part No.		d	Solid mm	F max	Load N/max	Fa %	price	Part No.		d	Solid mm	F max	Load N/max	Fa %	price
Type	D-L							Type	D-L							Type	D-L						
OR	02-05*	0.18	2.0	2.5	0.49	50	.	OR	06-35*	0.55	11.0	21	6.2	60	.	OR	13-20*	0.7	4.7	12	3.5	60	.
	10*	0.18	2.0	5	0.98				40*	0.55	11.0	24	7.1				25*	0.8	8.0	15	4.4		
	15*	0.23	6.0	7.5	1.5				45*	0.6	17.4	27	7.9				30*	0.8	8.0	18	5.3		
	20*	0.23	6.0	10	2.0				50*	0.6	17.4	30	8.8				35*	0.8	8.0	21	6.2		
	25*	0.26	11.2	12.5	2.5				60*	0.65	23.4	36	10.6				40*	0.9	12.8	24	7.1		
	30*	0.26	11.2	15	2.9				70*	0.65	23.4	42	12.4				45*	0.9	12.8	27	7.9		
OR	03-05*	0.23	1.6	3	0.9	60	.	OR	08-10*	0.45	2.6	6	1.8	60	.	OR	16-15*	0.75	4.3	9	2.6	60	.
	10*	0.25	2.1	6	1.8				15*	0.5	3.6	9	2.6				20*	0.8	5.4	12	3.5		
	15*	0.3	4.5	9	2.6				20*	0.5	3.6	12	3.5				25*	0.9	7.7	15	4.4		
	20*	0.3	4.5	12	3.5				25*	0.55	5.9	15	4.4				30*	0.9	7.7	18	5.3		
	25*	0.32	6.4	15	4.4				30*	0.65	10.4	18	5.3				35*	1.0	12.0	21	6.2		
	30*	0.32	6.4	18	5.3				35*	0.65	10.4	21	6.2				40*	1.0	12.0	24	7.1		
	35*	0.35	9.8	21	6.2				40*	0.7	15.4	24	7.1				45*	1.0	12.0	27	7.9		
	40*	0.35	9.8	24	7.1				45*	0.75	21.0	22	7.9				50*	1.1	19.0	30	8.8		
OR	04-05*	0.26	1.4	3	0.9	60	.	OR	10-10*	0.55	3.3	6	1.8	60	.	OR	20-20*	1.0	6.0	12	5.9	60	.
	10*	0.29	2.0	6	1.8				15*	0.6	4.2	9	2.6				25*	1.1	7.7	15	7.4		
	15*	0.32	3.0	9	2.6				20*	0.65	6.2	12	3.5				30*	1.1	7.7	18	8.8		
	20*	0.38	6.1	12	3.5				25*	0.65	6.2	15	4.4				35*	1.2	10.8	21	10.3		
	25*	0.38	6.1	15	4.4				30*	0.7	8.4	18	5.3				40*	1.2	10.8	24	11.8		
	30*	0.4	8.0	18	5.3				35*	0.7	8.4	21	6.2				45*	1.3	14.3	27	13.2		
	35*	0.4	8.0	21	6.2				40*	0.7	8.4	24	7.1				50*	1.3	14.3	30	14.7		
	40*	0.45	14.4	24	7.1				45*	0.75	21.0	27	7.9				60*	1.4	19.6	36	17.7		
	45*	0.45	14.4	27	7.9				50*	0.8	27.6	31	10.6				70*	1.4	19.6	42	20.6		
	50*	0.45	14.4	30	8.8				60*	0.8	27.6	48	14.1				80*	1.5	27.0	48	23.5		
OR	05-05*	0.3	1.65	3	0.9	60	.	OR	12-15*	0.6	3.5	9	2.6	60	.	OR	30-30*	0.8	9.6	18	5.3	60	.
	10*	0.35	2.71	6	1.8				20*	0.7	5.6	12	3.5				35*	0.8	9.6	21	6.2		
	15*	0.38	3.61	9	2.6				25*	0.7	5.6	15	4.4				40*	0.8	9.6	24	7.1		
	20*	0.38	3.61	12	3.5				30*	0.8	9.6	18	5.3				45*	0.9	16.2	27	7.9		
	25*	0.45	7.43	15	4.4				35*	0.8	9.6	21	6.2				50*	0.9	16.2	30	8.8		
	30*	0.45	7.43	18	5.3				40*	0.8	9.6	24	7.1				60*	0.9	16.2	36	10.6		
	35*	0.5	12.25	21	6.2				45*	0.85	15.2	30	8.8				70*	1.0	26.0	42	12.4		
	40*	0.5	12.25	24	7.1				50*	0.85	20.4	36	10.6				80*	1.0	26.0	48	14.1		
	45*	0.5	12.25	27	7.9				60*	0.85	20.4	48	14.1										
	50*	0.55	19.53	30	8.8																		
OR	06-05*	0.32	1.5	3	0.9	60	.	OR	13-15*	0.7	4.7	9	2.6	60	.	OR	30-30*	0.8	9.6	18	5.3	60	.
	10*	0.4	3.0	6	1.8				20*	0.7	5.6	12	3.5				35*	0.8	9.6	21	6.2		
	15*	0.4	3.0	9	2.6				25*	0.7	5.6	15	4.4				40*	0.8	9.6	24	7.1		
	20*	0.5	7.0	12	3.5				30*	0.8	9.6	18	5.3				45*	0.9	16.2	27	7.9		
	25*	0.5	7.0	15	4.4				35*	0.8	9.6	21	6.2				50*	0.9	16.2	30	8.8		
	30*	0.5	7.0	18	5.3				40*	0.8	9.6	24	7.1				60*	0.9	16.2	36	10.6		

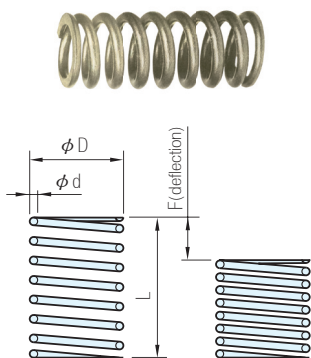
Order : Part No. Del : 1 day

OR02-05

PS.

- Load(N)=Spring constant(N/mm) × deflection(mm)
- The solid height values are reference only
- No grinding on both ends of all OR Type
- temperature resistant is 80°C
- 1N=0.101972 kgf

彈簧配件



D	TYPE									
	OV	OY	OR	OF	OL	OT	OM	OH	OB	
2		0.05	0.2	0.3	0.5					
3	N/mm 0.05	N/mm 0.098	N/mm 0.29	N/mm 0.49	N/mm 0.98	N/mm 1.5	N/mm 2.0	N/mm 2.9	N/mm 4.9	
4										
5										
6										
8										
10										
12	N/mm 0.2	N/mm 0.5	N/mm 0.98	N/mm 1.5	N/mm 2.0	N/mm 2.9	N/mm 4.9	N/mm 9.8	N/mm 19.6	
13										
14										
16										
20										
F MAX	F=LX70%	F=LX75%	F=LX60%	F=LX45%	F=LX40%	F=LX40%	F=LX35%	F=LX30%	F=LX25%	

彈簧配件

■ OL:Fmax=LX40%

Ma.	Co.	D		L	
		≤10	≥12	≤50	≥55
SUS	Nature	+0 -0.5	+0 -0.8	±1.5	±2.5

Part No.	Type	D-L	d	Solid mm	F max	Load N/max	price
02-05*	OL	02-05*	0.2	1.65	2.0	0.98	
		10*	0.26	5.07	4.0	1.96	
		15*	0.26	5.07	6.0	2.94	
		20*	0.3	9.9	8.0	3.92	
		25*	0.32	14.1	10.0	4.90	
03-05*	OL	03-05*	0.3	2.0	2.0	2.0	
		10*	0.35	3.7	4.0	3.9	
		15*	0.4	6.6	6.0	5.9	
		20*	0.4	6.6	8.0	7.8	
		25*	0.45	11.7	10.0	9.8	
04-05*	OL	04-05*	0.35	2.1	2.0	2.0	
		10*	0.45	5.3	4.0	3.9	
		15*	0.45	5.3	6.0	5.9	
		20*	0.5	8.0	8.0	7.8	
		25*	0.5	8.0	10.0	9.8	
05-05*	OL	05-05*	0.4	2.2	2.0	2.0	
		10*	0.5	4.75	4.0	3.9	
		15*	0.5	4.75	6.0	5.9	
		20*	0.55	6.88	8.0	7.8	
		25*	0.55	6.88	10.0	9.8	
06-05*	OL	06-05*	0.45	2.3	2.0	2.0	
		10*	0.55	4.4	4.0	3.9	
		15*	0.55	4.4	6.0	5.9	
		20	0.65	8.5	8.0	7.8	
		25	0.65	8.5	10.0	9.8	

Part No.	Type	D-L	d	Solid mm	F max	Load N/max	price
06-35	OL	06-35	0.7	12.6	14.0	13.7	
		40	0.7	12.6	16.0	15.7	
		45	0.75	17.3	18.0	17.7	
		50	0.75	17.3	20.0	19.6	
		60	0.8	24.8	24.0	23.5	
08-10	OL	08-10	0.65	4.6	4.0	3.9	
		15	0.75	8.3	6.0	5.9	
		20	0.75	8.3	8.0	7.8	
		25	0.75	8.3	10.0	9.8	
		30	0.8	10.4	12.0	11.8	
10-10	OL	10-10	0.75	4.7	4.0	3.9	
		15	0.8	6.2	6.0	5.9	
		20	0.8	6.2	8.0	7.8	
		25	0.9	9.5	10.0	9.8	
		30	0.9	9.5	12.0	11.8	
12-15	OL	12-15	0.9	6.5	6.0	5.9	
		20	1.0	9.0	8.0	7.8	
		25	1.0	9.0	10.0	9.8	
		30	1.1	12.5	12.0	11.8	
		35	1.1	12.5	14.0	13.7	
13-15	OL	13-15	0.9	5.4	6.0	5.9	
		40	1.2	17.0	16.0	15.7	
		45	1.2	17.0	18.0	17.7	
		50	1.2	17.0	20.0	19.6	
		60	1.3	24.0	24.0	23.5	

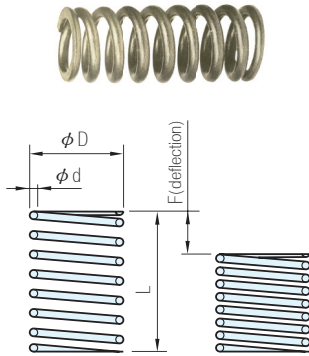
Part No.	Type	D-L	d	Solid mm	F max	Load N/max	price
13-20	OL	13-20	1.0	8.25	8.0	7.8	
		25	1.0	8.25	10.0	9.8	
		30	1.1	12.1	12.0	11.8	
		35	1.1	12.1	14.0	13.7	
		40	1.1	12.1	16.0	15.7	
		45	1.2	16.8	18.0	17.7	
		50	1.2	16.8	20.0	19.6	
		60	1.2	16.8	24.0	23.5	
		70	1.4	35.0	28.0	27.5	
		80	1.4	35.0	32.0	31.4	
16-15	OL	16-15	1.1	7.7	6.0	5.9	
		20	1.1	7.7	8.0	7.8	
		25	1.2	10.8	10.0	9.8	
		30	1.2	10.8	12.0	11.8	
		35	1.3	14.3	14.0	13.7	
		40	1.3	14.3	16.0	15.7	
		45	1.4	19.6	18.0	17.7	
		50	1.4	19.6	20.0	19.6	
		60	1.4	19.6	24.0	23.5	
		70	1.5	27.0	28.0	27.5	
20-20	OL	20-20	1.6	10.4	8.0	23.5	
		25	1.6	10.4	10.0	29.4	
		30	1.7	12.8	12.0	35.3	
		35	1.7	12.8	14.0	41.2	
		40	1.8	15.3	16.0	47.1	
		45	1.8	15.3	18.0	53.0	
		50	2.0	23.0	20.0	58.8	
		60	2.0	23.0	24.0	70.6	
		70	2.2	35.2	28.0	82.4	
		80	2.2	35.2	32.0	94.1	

Order : Del : day

OL02-05

PS.

- Load(N)=Spring constant(N/mm) × deflection(mm)
- The solid height values are reference only
- No grinding on both ends of ★ mark
- temperature resistant is 80°C
- 1N=0.101972 kgf



TYPE	OV	OY	OR	OF	OL	OT	OM	OH	OB
D									
2		0.05	0.2	0.3	0.5				
3	N/mm 0.05	N/mm 0.098	N/mm 0.29	N/mm 0.49	N/mm 0.98	N/mm 1.5	N/mm 2.0	N/mm 2.9	N/mm 4.9
4									
5									
6	N/mm 0.2	N/mm 0.5	N/mm 0.98	N/mm 1.5	N/mm 2.0	N/mm 2.9	N/mm 4.9	N/mm 9.8	N/mm 19.6
8									
10									
12	N/mm 0.3	N/mm 0.5	N/mm 0.98	N/mm 1.5	N/mm 2.0	N/mm 2.9	N/mm 4.9	N/mm 9.8	N/mm 19.6
13									
14									
16	N/mm 0.3	N/mm 0.5	N/mm 0.98	N/mm 1.5	N/mm 2.0	N/mm 2.9	N/mm 4.9	N/mm 9.8	N/mm 19.6
20									
F MAX	F=LX70%	F=LX75%	F=LX60%	F=LX45%	F=LX40%	F=LX40%	F=LX35%	F=LX30%	F=LX25%

D		L	
≤10	≥12	≤50	≥55
+0	+0	±1.5	±2.5
-0.5	-0.8		

OM: Fmax=LXFa %

Ma.	Co.
SUS	Nature

Part No.	d	Solid mm	F max	Load N/max	Fa %	price	
04-05*	0.4	2.2	1.75	3.4	35	•	
	10*	0.5	4.9	3.5			6.8
	15	0.55	7.5	5.25			10.3
	20	0.6	11.1	7.0			13.7
	25	0.6	11.1	8.75			17.2
30	0.65	16.3	10.5	20.6	•		
05-05*	0.45	2.25	1.75	3.4	35	•	
	10*	0.5	3.13	3.5			6.8
	15	0.65	8.45	5.25			10.3
	20	0.65	8.45	7.0			13.7
	25	0.7	11.9	8.75			17.2
	30	0.7	11.9	10.5			20.6
	35	0.75	16.5	12.25			24.0
40	0.8	23.2	14.0	27.5	•		
45	0.8	23.2	15.75	30.9	•		
50	0.85	31.45	17.5	34.3	•		
06-05*	0.55	2.7	1.7	4.9	35	•	
	10	0.7	5.6	3.5			10.8
	15	0.75	7.4	5.2			15.7
	20	0.75	7.4	7.0			20.6
	25	0.85	12.8	8.7			25.5
	30	0.85	12.8	10.5			31.4
	35	0.9	16.7	12.2			36.3
	40	0.9	16.8	14.0			41.2
	45	1.0	27.8	15.8			46.1
	50	1.0	28.0	17.5			52.0
60	1.0	28.0	18.0	53.0	30	•	
70	1.1	46.2	20.0	58.8	28	•	
08-10	0.85	6.4	3.5	10.8	35	•	
	15	0.9	7.9	5.2			15.7
	20	0.9	7.9	7.0			20.6
	25	0.9	7.9	8.7			25.5
	30	1.0	12.0	10.5			31.4
	35	1.0	12.0	12.2			36.3
	40	1.1	18.7	14.0			41.2
	45	1.1	18.7	15.8			46.1
	50	1.1	18.7	17.5			52.0
60	1.2	28.2	21.0	61.8	•		
70	1.3	42.0	24.5	72.6	•		
10-10	0.9	5.2	3.5	10.8	35	•	
	15	1.0	7.3	5.2			15.7
	20	1.0	7.3	7.0			20.6

Part No.	d	Solid mm	F max	Load N/max	Fa %	price		
10-25	1.1	10.5	8.7	25.5	35	•		
	30	1.1	10.5	10.5			31.4	
	35	1.2	15.0	12.2			36.3	
	40	1.2	15.0	14.0			41.2	
	45	1.3	21.8	15.8			46.1	
	50	1.3	21.8	17.5			52.0	
	60	1.4	30.8	21.0			61.8	•
70	1.4	30.8	24.5	72.6	•			
13-15	1.2	8.4	5.2	15.7	35	•		
	20	1.3	11.1	7.0			20.6	
	25	1.3	11.1	8.7			25.5	
	30	1.4	15.1	10.5			31.4	
	35	1.4	15.1	12.2			36.3	
	40	1.4	15.1	14.0			41.2	
	45	1.4	15.1	15.8			46.1	
	50	1.4	15.1	17.5			52.0	
	60	1.6	27.2	21.0			61.8	•
	70	1.6	27.2	24.5			72.6	•
80	1.7	36.2	28.0	82.4	•			
16-15	1.4	9.6	5.2	15.7	35	•		
	20	1.5	12.4	7.0			20.6	
	25	1.5	12.4	8.7			25.5	
	30	1.5	12.4	10.5			31.4	
	35	1.6	15.6	12.2			36.3	
	40	1.6	15.6	14.0			41.2	
	45	1.7	20.4	15.8			46.1	
	50	1.7	20.4	17.5			52.0	
	60	1.8	26.1	21.0			61.8	•
	70	1.8	26.1	24.5			72.6	•
80	1.8	26.1	28.0	82.4	•			
20-20	1.8	11.3	7.0	34.3	35	•		
	25	1.9	13.3	8.8			43.1	
	30	1.9	13.3	10.5			52.0	
	35	2.0	16.0	12.3			59.8	
	40	2.0	16.0	14.0			68.6	
	45	2.2	23.7	15.8			77.5	
	50	2.2	23.7	17.5			86.3	
	60	2.2	23.7	21.0			103.0	
	70	2.4	34.8	24.5			120.6	
	80	2.4	34.8	28.0			137.3	

Order : Part No. Del : 1 day
OM04-05

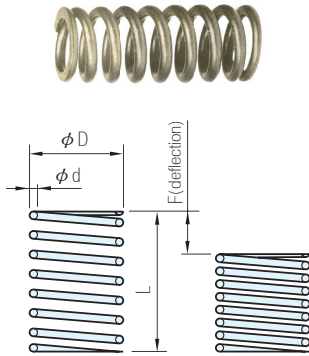
PS.

- Load(N)=Spring constant(N/mm) × deflection(mm)
- The solid height values are reference only
- No grinding on both ends of ★ mark
- temperature resistant is 80°C
- 1N=0.101972 kgf

彈簧配件



彈簧
零件



TYPE	OV	OY	OR	OF	OL	OT	OM	OH	OB
D									
2		0.05	0.2	0.3	0.5				
3	N/mm 0.05	N/mm 0.098	N/mm 0.29	N/mm 0.49	N/mm 0.98	N/mm 1.5	N/mm 2.0	N/mm 2.9	N/mm 4.9
4									
5									
6	N/mm 0.2	N/mm 0.5	N/mm 0.98	N/mm 1.5	N/mm 2.0	N/mm 2.9	N/mm 4.9	N/mm 9.8	N/mm 19.6
8									
10									
12	N/mm 0.3	N/mm 0.5	N/mm 0.98	N/mm 1.5	N/mm 2.0	N/mm 2.9	N/mm 4.9	N/mm 9.8	N/mm 19.6
13									
14									
16	N/mm 0.3	N/mm 0.5	N/mm 0.98	N/mm 1.5	N/mm 2.0	N/mm 2.9	N/mm 4.9	N/mm 9.8	N/mm 19.6
20									
F _{MAX}	F=LX70%	F=LX75%	F=LX60%	F=LX45%	F=LX40%	F=LX40%	F=LX35%	F=LX30%	F=LX25%

D		L	
≤10	≥12	≤50	≥55
+0	+0	±1.5	±2.5
-0.5	-0.8		

■ OH:Fmax=LXFa %

Ma.	Co.
SUS	Nature

Part No.	d	Solid mm	F max	Load N/max	Fa %	price	
OH	04-05*	0.45	2.7	1.5	4.4	30	
	10*	0.5	3.8	3.0	8.8		
	15	0.6	8.1	4.5	13.2		
	20	0.65	11.7	6.0	17.6		
	25	0.7	16.8	7.5	22.1		
30	0.7	16.8	9.0	26.5			
OH	05-05*	0.55	3.3	1.5	4.4	30	
	10	0.6	4.65	3.0	8.8		
	15	0.6	4.65	4.5	13.2		
	20	0.75	11.81	6.0	17.6		
	25	0.75	11.81	7.5	22.1		
	30	0.8	16.0	9.0	26.5		
	35	0.85	21.68	10.5	30.9		
40	0.85	21.68	12.0	35.3			
45	0.9	28.8	13.5	39.7			
OH	06-05*	0.65	3.2	1.5	8.8	30	
	10	0.7	3.9	3.0	17.7		
	15	0.85	7.7	4.5	26.5		
	20	0.9	9.7	6.0	35.3		
	25	1.0	15.5	7.5	44.1		
	30	1.0	15.5	9.0	53.0		
	35	1.1	24.8	9.8	57.9		28
	40	1.1	24.8	10.0	58.8		25
	45	1.1	24.8	11.3	66.7		
	50	1.2	39.0	10.0	58.8		20
60	1.2	39.0	14.0	82.4	23		
70	1.2	39.0	15.0	88.3	21		
OH	08-10	0.9	5.3	3.0	17.7	30	
	15	0.9	5.3	4.5	26.5		
	20	1.1	11.0	6.0	35.3		
	25	1.1	11.0	7.5	44.1		
	30	1.2	15.9	9.0	53.0		
	35	1.2	15.9	10.5	61.8		
	40	1.3	23.1	12.0	70.6		
	45	1.3	23.1	13.5	79.4		
	50	1.4	33.3	15.0	88.3		
	60	1.4	33.3	18.0	105.9		
70	1.5	48.0	19.0	111.8	27		
OH	10-10	1.1	6.9	3.0	17.7	30	
	15	1.1	6.9	4.5	26.5		
	20	1.2	9.3	6.0	35.3		
	25	1.2	9.3	7.5	44.1		

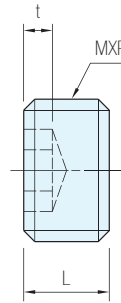
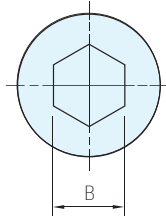
Part No.	d	Solid mm	F max	Load N/max	Fa %	price
OH	10-30	1.3	12.7	9.0	53.0	30
	35	1.4	17.5	10.5	61.8	
	40	1.4	17.5	12.0	70.6	
	45	1.5	23.8	13.5	79.4	
	50	1.5	23.8	15.0	88.3	
	60	1.6	32.4	18.0	105.9	
	70	1.7	44.2	21.0	123.6	
OH	13-15	1.5	9.2	4.5	44.1	30
	20	1.5	9.2	6.0	58.8	
	25	1.5	9.2	7.5	73.5	
	30	1.8	18.0	9.0	88.3	
	35	1.8	18.0	10.5	103.0	
	40	1.8	18.0	12.0	117.7	
	45	1.8	18.0	13.5	132.4	
	50	2.0	28.5	15.0	147.0	
	60	2.1	36.0	18.0	176.5	
	70	2.2	45.1	21.0	205.9	
80	2.2	45.1	20.0	196.1	25	
OH	16-15	1.7	9.6	4.6	44.1	30
	20	1.9	14.0	6.0	58.8	
	25	1.9	14.0	7.5	73.5	
	30	1.9	14.0	9.0	88.3	
	35	1.9	14.0	10.5	103.0	
	40	2.2	25.1	12.0	117.7	
	45	2.2	25.1	13.5	132.4	
	50	2.2	25.1	15.0	147.1	
	60	2.3	30.5	18.0	176.5	
	70	2.5	44.7	21.0	205.9	
80	2.5	44.7	24.0	235.4		
OH	20-25	2.3	13.8	7.5	110.8	30
	30	2.3	13.8	9.0	132.4	
	35	2.5	18.8	10.5	154.9	
	40	2.5	18.8	12.0	176.5	
	45	2.8	29.4	13.5	199.1	
	50	2.8	29.4	15.0	220.6	
	60	3.0	40.5	18.0	264.8	
	70	3.0	40.5	21.0	308.9	
	80	3.2	54.4	24.0	353.0	

PS.

- Load(N)=Spring constant(N/mm) × deflection(mm)
- The solid height values are reference only
- No grinding on both ends of ★ mark
- temperature resistant is 80°C
- 1N=0.101972 kgf

Order : Del : day
OH04-05

RoHS



彈簧配件

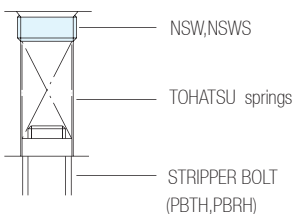
Ma.	Ha.	Tr.
S45C	HRC34~43	blackened

Part No.		M × P	L	B	t	price
Type	M					
NSW	03	3 × 0.5	3	1.5	1.2	•
	04	4 × 0.7	4	2.0	1.5	•
	05	5 × 0.8	5	2.5	2.0	•
	06	6 × 1.0	6	3.0	3.5	•
	08	8 × 1.25	8	4.0	5.0	•
	10	10 × 1.5	10	5.0	6.0	•
	12	12 × 1.5		6.0	•	
	14	14 × 1.5		8.0	•	
	16	16 × 1.5		10.0	•	
	18	18 × 1.5	12	12.0	•	
	20	20 × 1.5		14.0	•	
	22	22 × 1.5		17.0	•	
	24	24 × 1.5		10.0	•	
	25	25 × 1.5	18	10.0	•	
	26	26 × 1.5		10.0	•	
	27	27 × 1.5		10.0	•	
	28	28 × 1.5		10.0	•	
	30	30 × 1.5	18	10.0	•	
	33	33 × 1.5		10.0	•	
	36	36 × 1.5		10.0	•	
38	38 × 1.5	10.0		•		
40	40 × 1.5	18	10.0	•		
42	42 × 1.5		10.0	•		
45	45 × 1.5		10.0	•		

Part No.		M × P	L	B	t	price
Type	M-L					
NSWS	8-6	8 × 1.25	6	4	3	•
	10-6	10 × 1.5		5		•
	12-6	12 × 1.5		6		•
	14-6	14 × 1.5		6		•
	16-6	16 × 1.5	8	8	•	
	18-6	18 × 1.5		10	•	
	20-8	20 × 1.5	8	10	4	•
	22-8	22 × 1.5		12		•
	24-8	24 × 1.5		14		•
	25-8	25 × 1.5		14		•
	26-8	26 × 1.5	17	14	•	
	27-8	27 × 1.5		17	•	
	28-8	28 × 1.5		17	•	
	30-8	30 × 1.5		17	•	
	33-8	33 × 1.5	17	17	•	

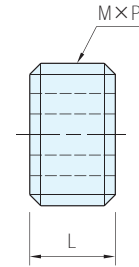
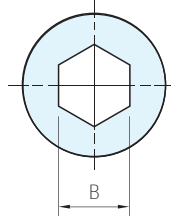
Order : Del :
NSW03

Ex.



RoHS

彈簧配件



Ma.	Ha.	Tr.
S45C	HRC34~43	blackened

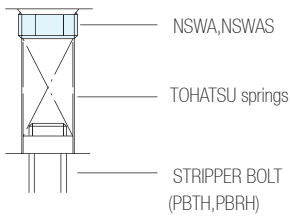
Part No.		M × P	L	B	price	
Type	M					
NSWA	08	8 × 1.25	8	4	•	
	10	10 × 1.5		5	•	
	12	12 × 1.5		6	•	
	14	14 × 1.5			•	
	16	16 × 1.5	10	8	•	
	18	18 × 1.5		10	•	
	20	20 × 1.5		12	12	•
	22	22 × 1.5			•	
	24	24 × 1.5	12	14	•	
	25	25 × 1.5			•	
	26	26 × 1.5			•	
	27	27 × 1.5			•	
	28	28 × 1.5	17	•		
	30	30 × 1.5		•		
33	33 × 1.5	•				

Part No.		M × P	L	B	price	
Type	M-L					
NSWAS	8-6	8 × 1.25	6	4	•	
	10-6	10 × 1.5		5	•	
	12-6	12 × 1.5		6	•	
	14-6	14 × 1.5			•	
	16-6	16 × 1.5	10	8	•	
	18-6	18 × 1.5		10	•	
	20-8	20 × 1.5		12	12	•
	22-8	22 × 1.5			•	
	24-8	24 × 1.5	14	14	•	
	25-8	25 × 1.5			•	
	26-8	26 × 1.5			•	
	27-8	27 × 1.5			•	
	28-8	28 × 1.5	17	•		
	30-8	30 × 1.5		•		
	33-8	33 × 1.5		•		

Ex.

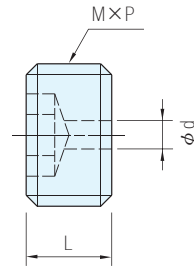
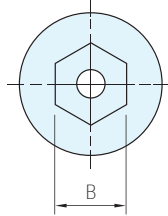
Order : Del :

NSWA08





彈簧配件



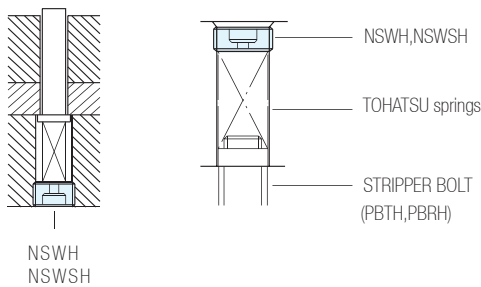
Ma.	Ha.	Tr.
S45C	HRC34~43	blackened

Part No.		M × P	L	B	d	price
Type	M					
NSWH	12	12 × 1.5	10	6	3	•
	14	14 × 1.5				•
	16	16 × 1.5				•
	18	18 × 1.5		•		
	20	20 × 1.5		•		
	22	22 × 1.5		•		
	24	24 × 1.5	12	14	5	•
	25	25 × 1.5				•
	26	26 × 1.5				•
	27	27 × 1.5		•		
	28	28 × 1.5		•		
	30	30 × 1.5		•		
33	33 × 1.5	17	•			

Part No.		M × P	L	B	d	price
Type	M-L					
NSWSH	12-6	12 × 1.5	6	6	3	•
	14-6	14 × 1.5				•
	16-6	16 × 1.5				•
	18-6	18 × 1.5		•		
	20-8	20 × 1.5		•		
	22-8	22 × 1.5		•		
	24-8	24 × 1.5	8	14	5	•
	25-8	25 × 1.5				•
	26-8	26 × 1.5				•
	27-8	27 × 1.5		•		
	28-8	28 × 1.5		•		
	30-8	30 × 1.5		•		
	33-8	33 × 1.5	17	•		

Ex.

Order : Del :
NSWH12

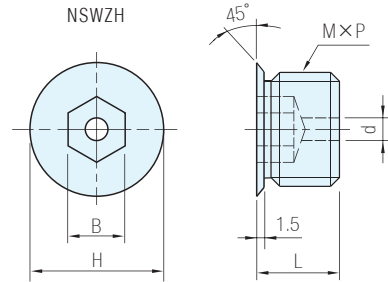
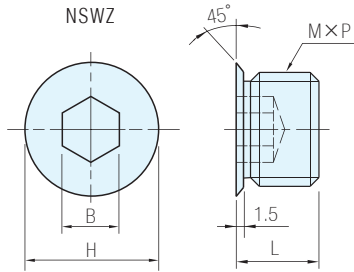


RoHS

彈簧配件



Ma.	Ha.	Tr.
S45C	HRC34~43	blackened



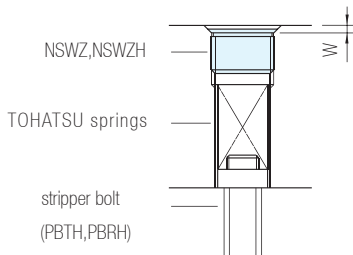
Part No.		M × P	L	B	H	price
Type	M					
NSWZ	06	6×1.0	8	3	9	•
	08	8×1.25	10	4	11	•
	10	10×1.5	12	5	13	•
	12	12×1.5		6	15	•
	14	14×1.5	15	8	19	•
	16	16×1.5		10	21	•
	18	18×1.5	17	12	23	•
	20	20×1.5		14	25	•
	22	22×1.5	17	14	27	•
	24	24×1.5		14	28	•
	25	25×1.5	17	14	29	•
	26	26×1.5		14	30	•
	27	27×1.5	17	14	31	•
	28	28×1.5		14	33	•
30	30×1.5	17	14	33	•	
33	33×1.5		14	36	•	

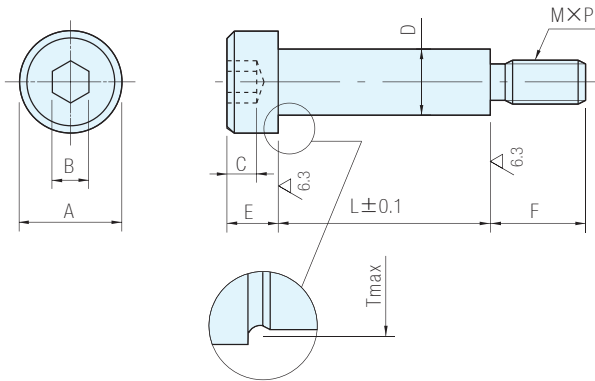
Part No.		M × P	L	B	H	d	price
Type	M						
NSWZH	10	10×1.5	12	5	13	3	•
	12	12×1.5		6	15		•
	14	14×1.5		8	17		•
	16	16×1.5		10	19		•
	18	18×1.5		10	21		•
	20	20×1.5		10	23		•
	22	22×1.5	15	12	25	5	•
	24	24×1.5		14	27		•
	25	25×1.5		14	28		•
	26	26×1.5		14	29		•
	27	27×1.5		14	30		•
	28	28×1.5		14	31		•
	30	30×1.5	17	17	33	5	•
	33	33×1.5		17	36		•

Order : Del : day

NSWZ06

Ex.





小零件
螺絲螺帽

Ma.	Ha.	Tr.
SCM435	HRC33~38	Fe ₃ O ₄

D		A	B	C	E	F	T	M×P
6	-0.01 -0.05	10	3	2.4	4.5	10	6.5	5×0.8
6.5							7.0	
8							8.7	
10	-0.01 -0.06	13	4	3.3	5.5	11	10.8	6×1.0
12		16	5	4.2	7.0	13	12.8	8×1.25
13		18	6	4.9	9.0	16	14.0	10×1.5
16		24	8	6.6	11.0	18	17.0	12×1.75
20	-0.02 -0.08	30	10	8.8	14.0	22	21.0	16×2.0

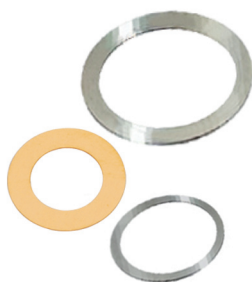
Part No.		L																						
Type	D	10	12	16	20	25	30	35	40	45	50	55	60	65	70	75	80	85	90	95	100	110	120	
MSB	06	*	*	*	*	*	*	*	*	*	*	*	*	*	*	*	*	*	*	*	*	*	*	*
	06.5	*	*	*	*	*	*	*	*	*	*	*	*	*	*	*	*	*	*	*	*	*	*	*
	08	*	*	*	*	*	*	*	*	*	*	*	*	*	*	*	*	*	*	*	*	*	*	*
	10	*	*	*	*	*	*	*	*	*	*	*	*	*	*	*	*	*	*	*	*	*	*	*
	12	*	*	*	*	*	*	*	*	*	*	*	*	*	*	*	*	*	*	*	*	*	*	*

Part No.		L																						
Type	D	15	20	25	30	35	40	45	50	55	60	65	70	75	80	85	90	95	100	110	120	130	140	150
MSB	13	*	*	*	*	*	*	*	*	*	*	*	*	*	*	*	*	*	*	*	*	*	*	*
	16	*	*	*	*	*	*	*	*	*	*	*	*	*	*	*	*	*	*	*	*	*	*	*
	20	*	*	*	*	*	*	*	*	*	*	*	*	*	*	*	*	*	*	*	*	*	*	*

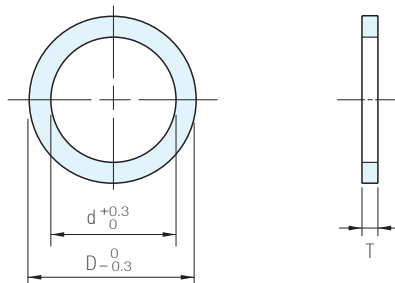
PS.

- Spacer washers for MSB, refer to MSRBB,PW
- Sepecial length upon request

Order : Del : day
MSB06-12



Type	Tol									Ma.
	0.01	0.02	0.03	0.05	0.1	0.2	0.3	0.5	1.0	
CIMSR	±0.003		±0.005		±0.008	±0.01	±0.015	±0.02	±0.035	(SUS301或SUS304)
CIMBR	-	-	-	±0.005	±0.02	±0.02	±0.03	±0.04	±0.05	(C2801P或C2680P)
CIMPR	-	≈-	-	-	±0.03		±0.04	±0.05	±0.08	(SPCC)



小零件
螺絲螺帽

Part No.	D																			T							
Type	d																										
CIMSR (SUS)	2	4	5	6																		0.01					
	3		5	6	7	8	10																0.02				
	4			6	7	8	10	12																0.03			
	5				7	8	10	12	14																0.05		
	6						10	12	14	16																0.1	
	8							12	14	16	18	20															0.2
10								12	14	16	18	20									0.3						
12									16	18	20	21	22									0.5					
15										18	20	21	22	24									1.0				
16											20	21	22	24	28									0.1			
17												20	21	22	24	28	30	32							0.2		
20														24	28	30	32	35	40							0.3	
22															28	30	32	35	40		0.5						
25																30	32	35	40	42		1.0					
28																	32	35	40	42			45				0.01
30																		35	40	42			45	50			
35																			42	45			50	55	0.03		
40																				45			50	55		0.05	
45																					50		55	0.1			

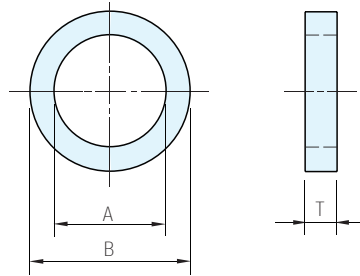
PS.

- Delivery for T=0.02,0.03 is 18 dysys
- Special material · thickness and dimension upon request

Order : - - - Del : day d ≤ 30 CIMSR
 day Others CIMPR

Part No.	Type	d	T	PRICE												
				CIMSR						CIMBR				CIMPR		
				T						T				T		
				0.01	0.02~0.03	0.05	0.1~0.3	0.5	1.0	0.05	0.1~0.3	0.5	1.0	0.1~0.3	0.5	1.0
CIMSR (SUS)	2		0.01	•	•	•	•	•	•	•	•	•	•	•	•	•
	3			•	•	•	•	•	•	•	•	•	•	•	•	•
	4			•	•	•	•	•	•	•	•	•	•	•	•	•
	5			•	•	•	•	•	•	•	•	•	•	•	•	•
	6			•	•	•	•	•	•	•	•	•	•	•	•	•
	8			•	•	•	•	•	•	•	•	•	•	•	•	•
CIMBR (CU)	10		0.03	•	•	•	•	•	•	•	•	•	•	•	•	
	12			•	•	•	•	•	•	•	•	•	•	•	•	
	15			•	•	•	•	•	•	•	•	•	•	•	•	
CIMPR (SPCC)	16		0.1	•	•	•	•	•	•	•	•	•	•	•	•	
	17			•	•	•	•	•	•	•	•	•	•	•	•	
	20			•	•	•	•	•	•	•	•	•	•	•	•	
CIMPR (SPCC)	22		1.0	•	•	•	•	•	•	•	•	•	•	•	•	
	25			•	•	•	•	•	•	•	•	•	•	•	•	
	28			•	•	•	•	•	•	•	•	•	•	•	•	
	30			•	•	•	•	•	•	•	•	•	•	•	•	
	35			•	•	•	•	•	•	•	•	•	•	•	•	
	40			•	•	•	•	•	•	•	•	•	•	•	•	
	45			•	•	•	•	•	•	•	•	•	•	•	•	•

RoHS



T	
0.1	±0.02
0.2	±0.02
0.3	±0.03
0.5	±0.03
1.0	±0.04
2.0	±0.09

小零件
螺絲螺帽

MSRBB	LRBB
Ma.	Ma.
SK5	SK5

Part No.		A +0.1 +0	B +0.1 +0	T	PRICE
MSRBB	* 4	4.0	6.5	0.1 0.2 0.3 0.5 1.0 2.0	.
	4.5	4.5	7		
	* 5	5.0	8		
	5.5	5.5	9		
	6	6.0	9		
	6.5	6.5	10		
	8	8.0	13		
	10	10.0	16		
	*12	12.0	17		
	13	13.0	18		
	16	16.0	24		
	20	20.0	27		

Wa.

- No T=2.0 specification of * mark
- MSRBB is suitable for MSB stripper bolt

Order : - Del : day
MSRBB4.5 - 0.1

Part No.		A +0.15 +0.10	B ±0.05	T	PRICE
LRBB	4	4	6	0.1 0.2 0.3 0.5 1.0	.
	5	5	7		
	6	6	8		
	8	8	10		
	10	10	13		
	13	13	16		
	16	16	19		
20	20	23			

PS.

- LRBB is suitable for LP litter pin
- Special dimension and material upon request

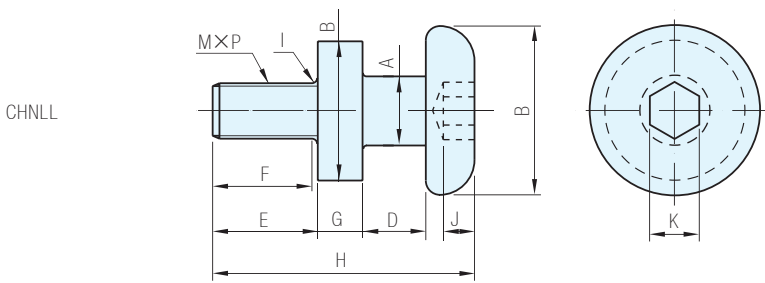
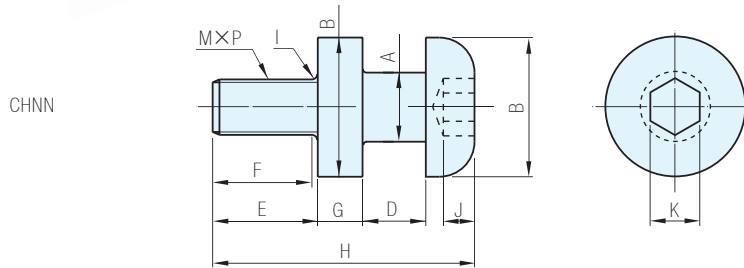
Order : - Del : day
LRBB4 - 0.1

RoHS



Ma.	Tr.
S45C	Fe ₂ O ₄

小零件
螺絲螺帽

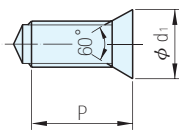


Part No.	N steel safety coefficient 10	M×P	A	B		D		E	F	G	H		I	J	K	PRICE		
				CHNN	CHNLL	CHNN	CHNLL				CHNN	CHNLL				CHNN	CHNLL	
CHNN CHNLL	10	2452	10×1.5	13	32	42	10	18	20	16	8	46	54	1.5	5	8	•	•
	12	3530	12×1.75	16	36	48	13	20	24	20	10	57	64	1.5	6	10	•	•
	16	6669	16×2.0	20	40	52	18	25	30	25	13	75	82	2.0	9	14	•	•
	20	10395	20×2.5	25	48	62	20	28	37	32	16	90	98	2.0	12	17	•	•
	24	15004	24×3.0	32	58	76	25	33	47	40	20	111	119	2.5	13	19	•	•
	30	23830	30×3.5	36	68	88	30	40	56	48	22	131	141	3.0	16	22	•	•
	36	34814	36×4.0	40	78	100	30	40	68	58	25	148	158	3.0	18	27	•	•

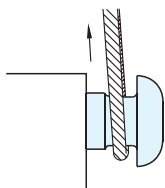
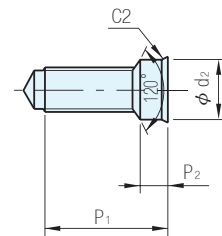
How to mount The screw holes should be processed according to the dimension shown in below.
The bolt head must be firmly in contact with the surface of the Die set

Order : Del : day
CHNN10

M	d ₁	P
10	15	22
12	18	26
16	23	32
20	27	40
24	35	50
30	42	60
36	50	72



M	d ₂	P ₁	P ₂
10	12	22	5
12	14	26	6
16	18	32	6
20	22	40	6
24	28	50	8
30	34	60	9
36	40	72	11

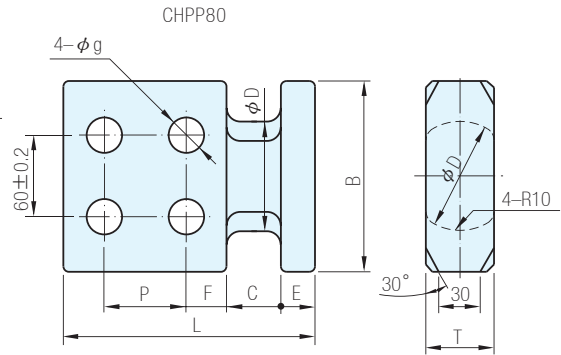
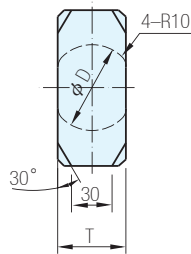
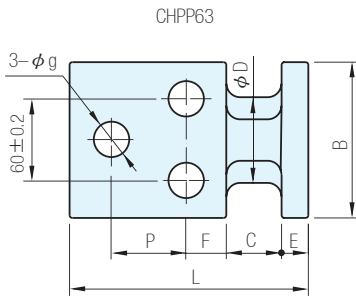
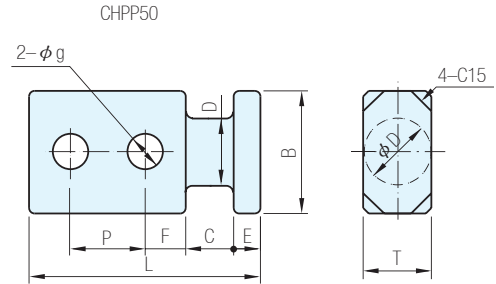
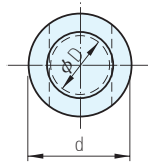
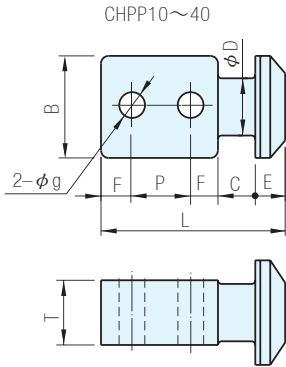


RoHS

小零件
螺絲螺帽



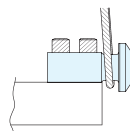
Ma.
SS41



Part No.		D	d	B	T	L	C	E	F	P	g	allowable load N/1pc	price
Type	φ D				^{-0.5} _{-1.0}					^{±0.2}			
CHPP	10	10	28	28	18	50	10	8	8	16	7	1569	•
	12	12	32	32	20	56			10	18	9	3530	•
	16	16	36	36	24	67			13	12	22	11	4511
	20	20	40	40	26	88	18	10	15	30	14	5492	•
	25	25	48	48	35	92	20	12	20	40	18	6570	•
	32	32	55	55	40	118	25	13	24	45	22	12160	•
	40	40	70	70	50	138	30	15	30	55	26	19123	•
	50	49	-	90		170	35	20	39227	•			
	63	63	-	115		175	40	50995	•				
80	80	-	140	185	40	25	60					•	

screw length	Part No.	price
	Type M - L	(M24 × P3.0)
60	CBB 24- 80	•
	CBB 24- 90	•
	CBB 24-100	•
	CBB 24-110	•
	CBB 24-120	•

Ex.



Order : Part No. Del : 1 day

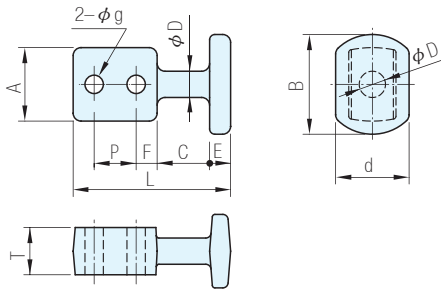
CHPP10



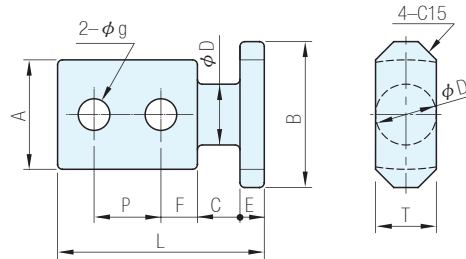
Ma.
SS41

小零件
螺絲螺帽

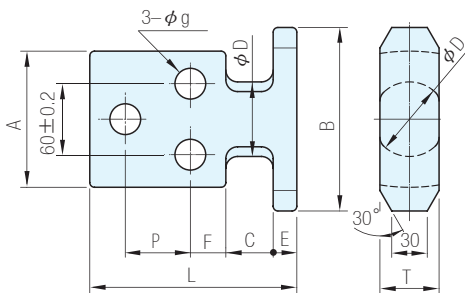
CHPLL10~40



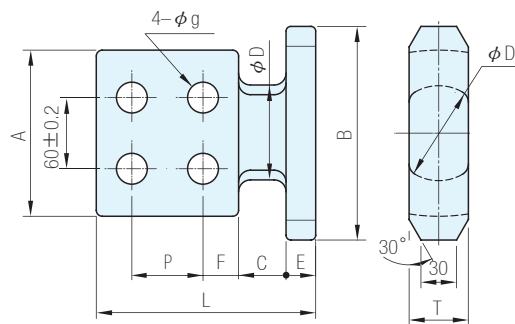
CHPLL50



CHPLL63



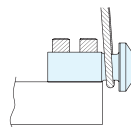
CHPLL80



Part No.		A	B	C	d	T	L	E	F	P	g	allowable load N/1pc	price
Type	D					-0.5 -1.0				±0.2			
CHPLL	10	28	38	20	28	18	60	8	8	16	7	1569	•
	12	32	44		32	20	66		10	18	9	3530	•
	16	36	50		36	24	78		12	22	11	4511	•
	20	40	56	25	40	26	97	12	15	30	14	5492	•
	25	48	68		48	35	98					13	6570
	32	55	77	30	55	40	125	15	20	40	18	12160	•
	40	70	100	35	70	50	143		24	45	22	19123	•
	50	90	120		40		-	50	170	20	55	26	27459
	63	115	155	175		30			39227				•
80	140	180	185	25		60			50995				•

screw length	Part No.	price
	Type M - L	(M24×P3.0)
full thd.	CBB 24- 80	•
	CBB 24- 90	•
60	CBB 24-100	•
	CBB 24-110	•
	CBB 24-120	•

Ex.

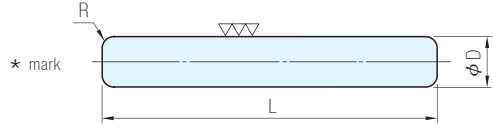


Order : Part No. Del : 1 day D≤63
CHPLL 10

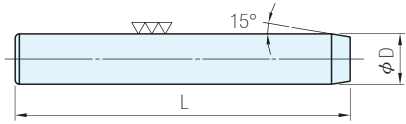
RoHS



MSSA/MSSB
NP
NPV (D=02~06)



MSSA/MSSB
NPV (D=08, 10)



Ma.	Ha.
SUJ2	HRC58

定位零件

φ D	R	Part No.		L																	
		Type	D	6	8	10	15	20	25	30	35	40	45	50	55	60	65	70	80		
+0.003 -0	0.4	MSSA	1.5	*	*	*															
			02	*	*	*	*	*													
			2.5	*	*	*	*	*	*	*											
+0.005 -0	0.6		03	*	*	*	*	*	*	*	*	*	*	*	*	*	*	*	*	*	*
			04		*	*	*	*	*	*	*	*	*	*	*	*	*	*	*	*	*
			05		*	*	*	*	*	*	*	*	*	*	*	*	*	*	*	*	*
	0.8		06		*	*	*	*	*	*	*	*	*	*	*	*	*	*	*	*	*
			08						*	*	*	*	*	*	*	*	*	*	*	*	*
			10						*	*	*	*	*	*	*	*	*	*	*	*	*
-	0.9		12							*	*	*	*	*	*	*	*	*	*	*	

φ D	R	Part No.		L																
		Type	D	6	8	10	15	20	25	30	35	40	45	50	55	60	65	70	80	
+0 -0.003	0.4	MSSB	1.5	*	*	*														
			02	*	*	*	*	*												
			2.5	*	*	*	*	*	*	*										
+0 -0.005	0.6		03	*	*	*	*	*	*	*	*	*	*	*	*	*	*	*	*	*
			04		*	*	*	*	*	*	*	*	*	*	*	*	*	*	*	*
			05		*	*	*	*	*	*	*	*	*	*	*	*	*	*	*	*
	0.8		06		*	*	*	*	*	*	*	*	*	*	*	*	*	*	*	*
			08						*	*	*	*	*	*	*	*	*	*	*	*
			10						*	*	*	*	*	*	*	*	*	*	*	*
-	0.9		12							*	*	*	*	*	*	*	*	*	*	

φ D	R	Part No.		L							
		Type	D	6	8	10	15	20	25	30	
+0.010 +0.005	0.4	NP	1.5	*	*	*					
			02	*	*	*	*	*			
			2.5	*	*	*	*	*	*	*	
			03	*	*	*	*	*	*	*	*
			04		*	*	*	*	*	*	*
			06		*	*	*	*	*	*	*

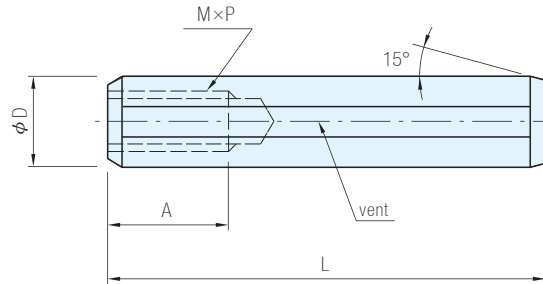
Wa.

- * Both ends R is radius with * mark
- * Special tolerance and dimension upon request

Order : - Del : day

- MSSA1.5 - 6
- MSSB1.5 - 6
- NP1.5 - 6
- NPV02 - 6

φ D	R	Part No.		L										
		Type	D	6	8	10	15	20	25	30	40	50	60	
0 -0.002	-	NPV	02	*	*	*								
			03		*	*	*	*	*	*				
			04			*	*	*	*	*	*			
			05			*	*	*	*	*	*			
			06			*	*	*	*	*	*			
			08						*	*	*	*		
-	-	-	10						*	*	*	*		



定位零件

Type	Ma.	Ha.
NPBG	S45C	45~50HRC
NPBGP	SUS416	45~50HRC

M × P	A	D h7	Part No.		L													
			Type	D	10	15	20	25	30	35	40	45	50	60	70	80		
4 × 0.7	8	0 -0.012	NPBG (S45C)	6	•	•	•	•	•	•	•							
5 × 0.8	10	0 -0.015		8														
6 × 1.0	10	0 -0.015		10														
6 × 1.0	10	0 -0.015		12														
8 × 1.25	15	0 -0.018		13														
8 × 1.25	15	0 -0.018		16														

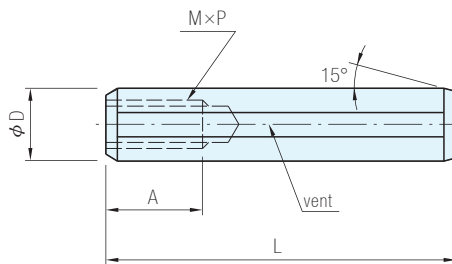
MXP	A	D h7	Part No.		L												
			Type	D	10	15	20	25	30	35	40	45	50	60	70	80	
4 × 0.7	8	0 -0.012	NPBGP (SUS)	6	•	•	•	•	•								
5 × 0.8	10	0		8													
6 × 1.0	10	-0.015		10													

Ps.

- A=6, only D6~D10,
- For dowel pin puller, please refer to FMGM

Order : - Del :

NPBG 6 - 20
NPBGP 6 - 10



Type	Ma.	Ha.
NPB	S45C	45~50HRC
NPBN		
NPBNP	SUS416	45~50HRC

定位零件

M × P	A	D m6	Part No.		L													
			Type	D	10	15	20	25	30	35	40	45	50	60	70	80		
4 × 0.7	8	+0.012 +0.004	NPBN (Steel)	6				•		•								
				8	•	•		•		•		•		•				
6 × 1.0	10	+0.015 +0.006		10									•					
				12									•		•		•	
8 × 1.25	15	+0.018 +0.007		13										•			•	
				16											•		•	•
10 × 1.5	18	+0.021 +0.008		20											•	•	•	•

M × P	A	D m6	Part No.		L													
			Type	D	10	15	20	25	30	35	40	45	50	60	70	80		
4 × 0.7	8	+0.012 +0.004	NPBNP (SUS)	6	•	•	•	•	•									
5 × 0.8				8		•	•	•	•	•		•						
6 × 1.0				10		•	•	•	•	•	•		•					

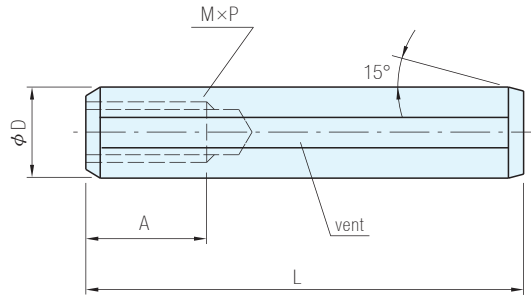
M × P	A	D p6	Part No.		L														
			Type	D	10	15	20	25	30	35	40	45	50	60	70	80			
4 × 0.7	8	+0.020 +0.012	NPB (Steel)	6											•				
				8											•				
6 × 1.0	10	+0.024 +0.015		10											•			•	
				12											•		•	•	
8 × 1.25	15	+0.029 +0.018		13												•		•	
				16													•		•
10 × 1.5	18	+0.035 +0.022		20												•	•	•	•

Ps.

- A=6, only D6~D10,
- For dowel pin puller, please refer to FMGM

Order : - Del : day

NPBN 6 - 10



定位零件

Type	Ma.	Ha.
NPBS	SUJ2	HRC58
NPBSE	SUS416	45~50HRC

M x P	A	D	Part No.		L													
			Type	D	10	15	20	25	30	35	40	45	50	60	70	80		
4X0.7	8	+0.010 +0.005	NPBS (SUJ2)	6														
5X0.8				8														
	6X1.0			10	10													
8X1.25				15	12													
	13																	
	16																	

M x P	A	D	Part No.		L														
			Type	D	10	15	20	25	30	35	40	45	50	60	70	80			
4x0.7	8	+0.010 +0.005	NPBSE (SUS)	6															
5x0.8				8															
6x1.0	10			10															
8x1.25	15			12															
				13															
				16															

Ps.

- A=6, only D6~D10,
- For dowel pin puller, please refer to FMGM

Order : - Del :

NPBS 6 - 10
NPBSE 6 - 10



Ma.	Ha.
SUS301(t=0.005~0.50)	HRC47~54
SUS301(t=0.60~2.00)	HRC42~49

定位零件

★ SHEET

ASS.G :	25×300 · 0.01~1.00 ...1pc/each	ASS.F :	50×300 · 0.02/0.03/0.05/0.10/0.15/0.20/ 0.25/0.30/0.40/0.50/1.00 ...1pc/each
ASS.H :	25×300 · 0.03~1.00 ...1pc/each	ASS.N :	100×500 · 0.02/0.05/0.10/0.15/0.20/0.30/ 0.40/0.50/1.00 ...1pc/each
ASS.J :	25×300 · 0.02/0.03/0.05/0.10/ 0.15/0.20/0.25/0.30/ 0.40/0.50/1.00 ...1pc/each	ASS.P :	100×500 · 1.50+2.00 ...1pc/each
ASS.D :	50×300 · 0.01~1.00 ...1pc/each	ASS.Q :	100×500 · 0.60/0.70/0.80/0.90 ...1pc/each
ASS.E :	50×300 · 0.03~1.00 ...1pc/each	ASS.R :	150×500 · 0.025/0.05/0.075/0.10/0.15/0.20/ 0.25/0.30/0.40/0.50 ...1pc/each

CODE	Type	Coil										Sheet					
	Width	6	12.7	12.7	12.7	25	50	50	100	150	25	50	100	100	150	300	
	Length	5M	1M	2M	5M	5M	1M	5M	5M	5M	300mm 10pc/box	300mm 10pc/box	500mm 5pc/box	1000mm 1pc/box	500mm 5pc/box	1000mm 1pc/box	
SSS	0.005 ±0.001		•	•	•												
	0.01 ±0.002		•	•	•	•	•	•									
	0.02 ±0.002		•	•	•	•	•	•	•								
	0.025 ±0.002		•	•	•	•	•	•	•	•							
	0.03 ±0.002		•	•	•	•	•	•	•	•							
	0.04 ±0.003		•	•	•	•	•	•	•	•	•						
	0.05 ±0.003	•	•	•	•	•	•	•	•	•	•	•			•	•	
	0.06 ±0.004		•	•	•	•	•	•	•	•	•	•					
	0.07 ±0.004		•	•	•	•	•	•	•	•	•	•					
	0.075 ±0.004		•	•	•	•	•	•	•	•	•	•			•		
	0.08 ±0.004		•	•	•	•	•	•	•	•	•	•					
	0.09 ±0.004		•	•	•	•	•	•	•	•	•	•					
	0.10 ±0.005	•	•	•	•	•	•	•	•	•	•	•	•		•	•	
	0.12 ±0.005		•	•	•	•	•	•	•	•	•	•	•				
	0.15 ±0.005	•	•	•	•	•	•	•	•	•	•	•	•		•	•	
	0.18 ±0.006		•	•	•	•	•	•	•	•	•	•	•				
	0.20 ±0.006	•	•	•	•	•	•	•	•	•	•	•	•		•	•	
	0.25 ±0.007	•	•	•	•	•	•	•	•	•	•	•	•		•	•	
	0.30 ±0.007	•	•	•	•	•	•	•	•	•	•	•	•		•	•	
	0.35 ±0.008		•	•	•	•	•	•	•	•	•	•	•				
0.40 ±0.009	•	•	•	•	•	•	•	•	•	•	•	•		•	•		
0.45 ±0.009		•	•	•	•	•	•	•	•	•	•	•					
0.50 ±0.010	•	•	•	•	•	•	•	•	•	•	•	•		•	•		
0.60 ±0.010		•	•	•	•	•	•	•	•	•	•	•					
0.70 ±0.012		•	•	•	•	•	•	•	•	•	•	•					
0.80 ±0.012		•	•	•	•	•	•	•	•	•	•	•					
0.90 ±0.013		•	•	•	•	•	•	•	•	•	•	•					
1.00 ±0.013		•	•	•	•	•	•	•	•	•	•	•					
SSH 1.50 ±0.020																	
SSH 2.00 ±0.050																	

Ps.

• Special thickness、length、and material upon request

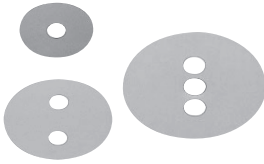
Order : - × ×

SSS - 0.005 × 12.7 × 1M
 SSS - 0.20 × 50 × 300MM
 SSH - 1.50 × 100 × 500MM
 ASS.G

Del : day

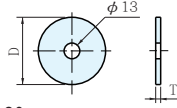
ASS.G	ASS.D	ASS.N		ASS.R
•	•	•		•
ASS.H	ASS.E	ASS.P		
•	•	•		
ASS.J	ASS.F	ASS.Q		
•	•	•		

SUS

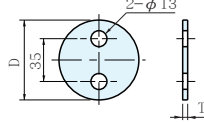


Ma. SUS304/SUS301

D=40.50.60.70

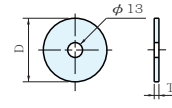


D=65.80

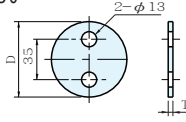


DBSMM

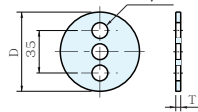
D=45.55



D=80



D=65.90



DTPMSS · D-DIP-A

T	D-DIP-A	T	DTPMSS	T	DBSMM
0.05	±0.003	0.05	±0.005	0.05	±0.01
0.06					
0.07					
0.08					
0.09	±0.004	0.1	±0.02	0.1	±0.02
0.1					
0.2					
0.3					
0.5	±0.02	0.2	±0.03	0.2	±0.04
0.3					
0.5					
1.0					
1.0	±0.02	0.3	±0.035	0.3	±0.04
0.5					
1.0					
1.0					
1.0	±0.02	0.5	±0.04	0.5	±0.05
1.0					
1.0					
1.0					

Hole	Part No. Type	D	T	price
1	DBSMM	40	0.05	•
			0.1	•
			0.2	•
			0.3	•
			0.5	•
1	DBSMM	50	0.05	•
			0.1	•
			0.2	•
			0.3	•
			0.5	•
1	DBSMM	60	0.05	•
			0.1	•
			0.2	•
			0.3	•
			0.5	•

Hole	Part No. Type	D	T	price
2	DBSMM	65	0.05	•
			0.1	•
			0.2	•
			0.3	•
			0.5	•
1	DBSMM	70	0.05	•
			0.1	•
			0.2	•
			0.3	•
			0.5	•
2	DBSMM	80	0.05	•
			0.1	•
			0.2	•
			0.3	•
			0.5	•

Hole	Part No. Type	D	T	price
1	DTPMSS	45	0.05	•
			0.1	•
			0.2	•
			0.3	•
			0.5	•
1	DTPMSS	55	0.05	•
			0.1	•
			0.2	•
			0.3	•
			0.5	•
1	DTPMSS	65	0.05	•
			0.1	•
			0.2	•
			0.3	•
			0.5	•
3	D-DIP-A	65	0.05	•
			0.06	•
			0.07	•
			0.08	•
			0.09	•
3	DTPMSS	65	0.05	•
			0.1	•
			0.2	•
			0.3	•
			0.5	•

Hole	Part No. Type	D	T	price
2	DTPMSS	80	0.05	•
			0.1	•
			0.2	•
			0.3	•
			0.5	•
3	D-DIP-A	90	0.05	•
			0.06	•
			0.07	•
			0.08	•
			0.09	•
3	DTPMSS	90	0.05	•
			0.1	•
			0.2	•
			0.3	•
			0.5	•

Order: - Del:
 DTPMSS 45 - 0.05
 D-DIP-A 65 - 0.06

- 小零件
- 吊具
- 脱料板
- 模座
- 热處理板
- 模板
- 彈簧
- 定位珠
- 汽車模部品
- 手動夾鉗
- 塑膠模部品
- 化學產品
- 鑽石膏
- 油石
- 鍍金壓合
- 萬向滾珠
- 軟面槌
- 魔術槌
- 無屑絲攻
- 腳座
- 氮氣彈簧

桃園：(03) 452-7557
 新北：(02) 2997-7990
 台中：(04) 2319-3832
 台南：(06) 253-9388

高雄：(07) 556-9036
 上海：(021) 6959-0023
 南京：(025) 8490-0451
 寧波：(0574) 2886-2838

武漢：(027) 8421-3588
 天津：(022) 8999-8967
 深圳：(0755) 2748-5535
 廣州：(0757) 2809-0175

廈門：(0592) 575-0912
 福州：13959252727

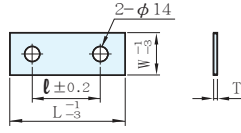
SMPP

SHIMS FOR OIL-FREE SLIDE PLATES

SUS



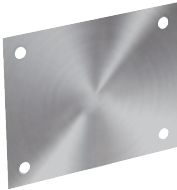
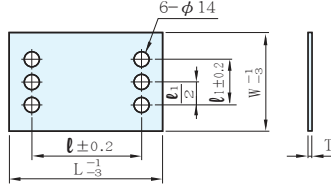
W=28~75
(2 holes)



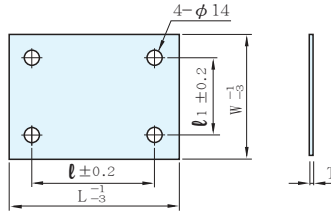
T	ToI
0.05	±0.01
0.1	
0.2	±0.02
0.3	
0.5	



W=100~150
(6 holes)



W=200
(4 holes)



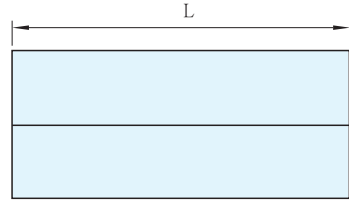
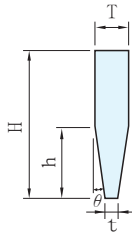
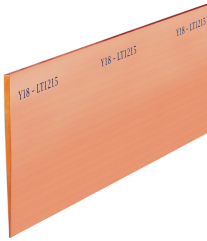
Ma. SUS304

l	l ₁	Part No.	W	L	T	price	
45	-	SMPP	28	75	0.05	•	
50				100		•	
75				125		•	
100			150	•			
150			200	•			
45			38	75		0.1	•
50				100			•
75				125			•
100			150	•			
150			200	•			
45			48	75		0.1	•
50				100			•
75				125			•
100			150	•			
150			200	•			
45	58	75	0.1	•			
50		100		•			
75		125		•			
100	150	•					
150	200	•					
45	75	75	0.1	•			
50		100		•			
75		125		•			
100	150	•					
150	200	•					

l	l ₁	Part No.	W	L	T	price		
50	-	SMPP	50	100	0.05	•		
75						125	•	
100						150	•	
150			200	•				
200			250	•				
200			300	•				
75			50	125		0.1	•	
100							150	•
150							200	•
200			250	•				
200			300	•				
100			100	150		0.1	•	
150							200	•
200							250	•
250			300	•				
150	150	200	0.1	•				
200				250	•			
250				300	•			

Order: Part No. - W × L × T
SMPP - 28 × 75 × 0.05

Del: 1 day



Ma. (C1020)

H = 70

Part No.		t	θ	T	h	H	L	price			
N0	TYPE	±0.02		±0.03	±0.1						
Y01	RM 0303	0.3	30°	0.8	30	70	300	.			
Y02	RM 0403	0.4		0.9							
Y03	RM 0503	0.5		1.0							
Y04	RM 0603	0.6		1.1							
Y05	RM 0803	0.8		1.3							
Y06	RM 1003	1.0		1.5							
Y07	RM 1303	1.3	1.8								
Y08	RM 0510	0.5	1°	1.55					38.2		.
Y09	RM 0610	0.6		1.65							
Y10	RM 0810	0.8		1.85							
Y11	RM 1010	1.0		2.05							
Y12	RM 0515	0.5	1.5°	2.5							

H = 120 / 100

Part No.		t	θ	T	h	H	L	price			
N0	TYPE	±0.02		±0.03	±0.1						
Y13	LM 0805	0.8	15°	1.4	69	120	300	.			
Y14	LM 1005	1.0		1.6							
Y15	LM 0803	0.8		2.0							
Y16	LM 1303	1.3	30°	2.5							
Y17	LT 0820	0.8	2°	5.0					60.1	100	.
Y18	LT 1215	1.2	1.5°	72.6							
Y19	LM 0603	0.6	30°	1.6	57.3	120	.				
Y20	LM 0605		15°	1.1	60.1						
Y21	LM 0610		1°	2.7	71.6						
Y22	LT 1510	1.5	30°	4.0	68.7	120	.				
Y23	LT 1803	1.8		3.0				80.2			
Y24	LM 1805			15°				2.5	80.2		
Y25	LT 0815	0.8	1.5°	4.0				61.2			

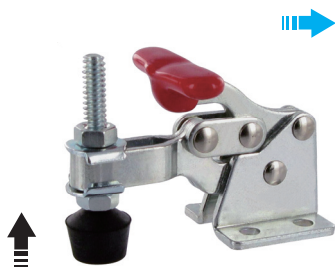
Sp.

· Suitable for plastic mold and Die casting
mold depth groove or rib EDM

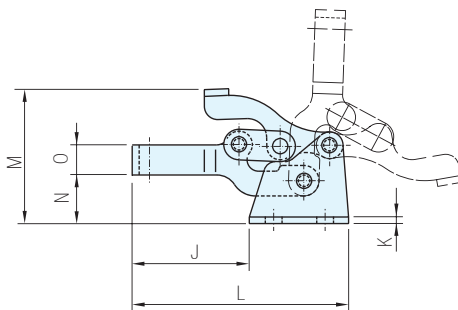
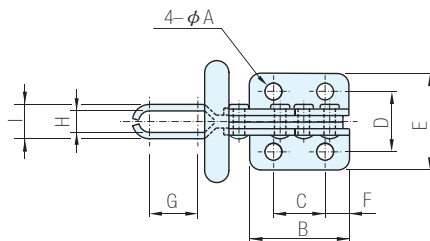
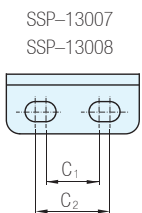
Order: Del:

Y01—RM0303

SUS



鋼	不銹鋼
材質	處理
鋼	鍍鋅
	不銹鋼



夾持零件

品號	夾持力 (N)	質量 (g)	把手移動	壓把移動	標準附件	A	B	C	C ₁	C ₂	D
SSP-13005	666	60	170°	90°	SSPFC10138	4.4	26.2	13.5	-	-	15.9
SSP-13005-SS					SSPFC10138						
SSP-13007	1470	230	170°	90°	SSPFC56212	7.0	44.0	-	19	27	29.4
SSP-13008	3136	630	170°	90°	SSPFC38312	7.9	64.3	-	31	39	38.1

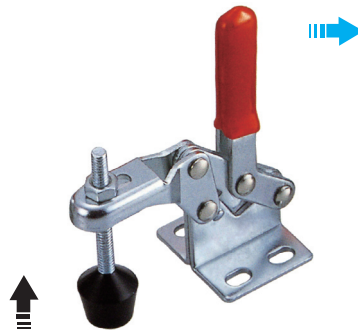
品號	E	F	G	H	I	J	K	L	M	N	O	備註	單價
SSP-13005	25.4	6.4	12.7	5.0	9.0	30.8	2.0	57.0	35.2	12.7	7.9	-	•
SSP-13005-SS												不銹鋼	•
SSP-13007	46.0	10.3	19.5	8.7	14.7	50.1	3.0	93.7	58.7	22.2	12.7	-	•
SSP-13008	62.7	12.7	28.9	10.4	18.4	70.5	3.0	135.0	88.1	33.3	19.0	-	•

Wa) 注意

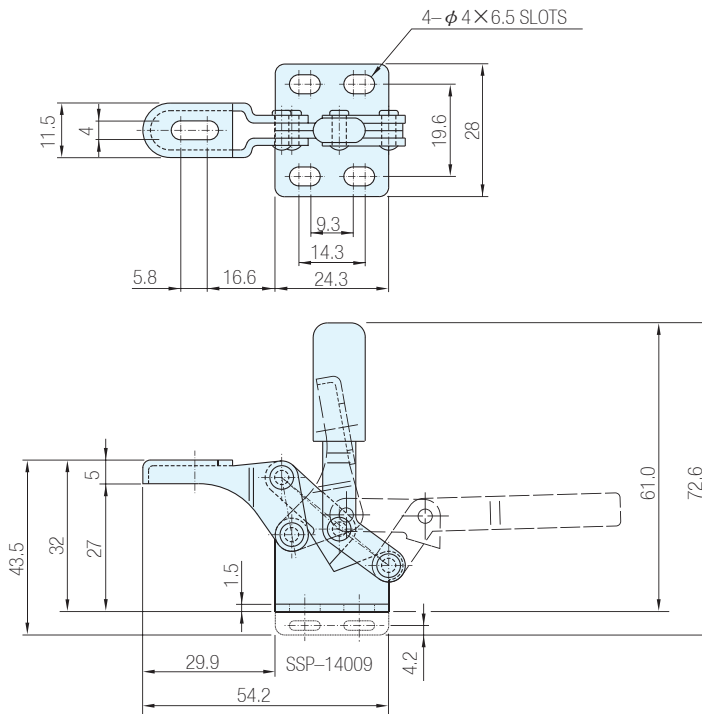
- 附件請參考本單元夾鉗附件
- SSP-13005-SS不銹鋼製
- 1N=0.101972kgf

訂貨： 交期： 天

SSP-13005



材質	處理
鋼	鍍鋅



品號	夾持力 (N)	質量 (g)	把手移動	壓把移動	標準附件	備註	單價
SSP-13009	294	40	88°	80°	SSP-FC-044207	法蘭座	·
SSP-14009						直座	

Wa) 注意

- 附件請參考本單元夾鉗附件
- 1N=0.101972kgf

訂貨： 交期： 天

SSP-13009

夾持零件



... 不燃性規格



... 防靜電規格

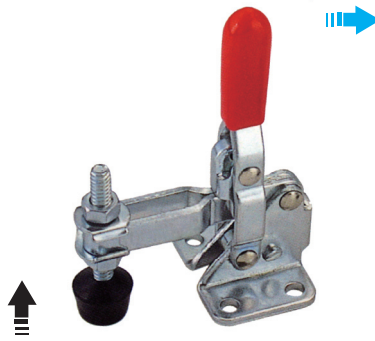


... 抗菌規格

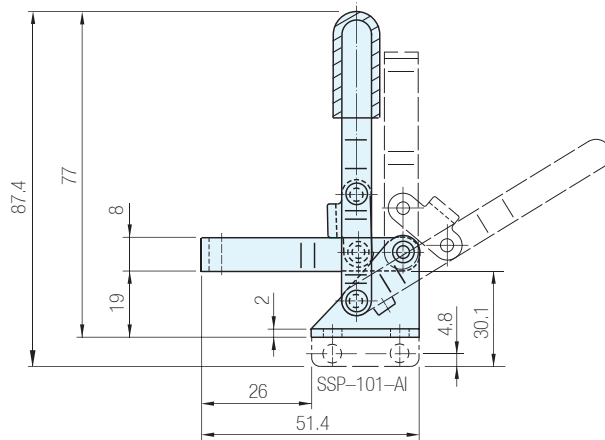
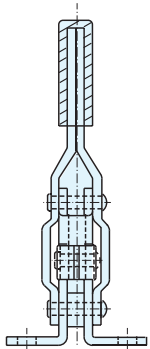
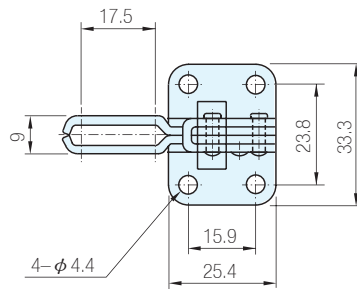
SOFT ... 軟性製品

CLEAN ... CLEAN製品

SUS



鋼	不銹鋼
材質	處理
鋼	鍍鋅
不銹鋼	不銹鋼



夾持零件

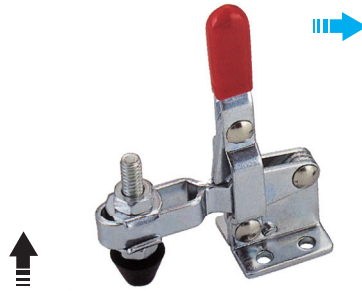
品號	夾持力 (N)	質量 (g)	把手移動	壓把移動	標準附件	備註	單價
SSP-101-A	490	60	56°	100°	SSP-FC-10138	法蘭座	·
SSP-101-AI						直座	·
SSP-101-ASS					-	法蘭座、不銹鋼	·

Wa) 注意

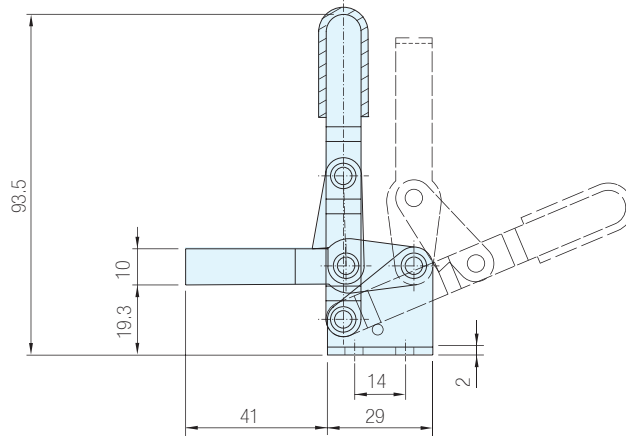
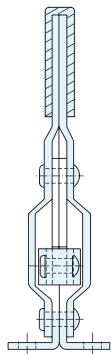
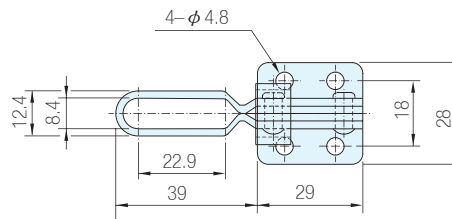
- 附件請參考本單元夾鉗附件
- 1N=0.101972kgf

訂貨： 交期：

SSP-101-A



材質	處理
鋼	鍍鋅



夾持零件

品號	夾持力 (N)	質量 (g)	把手移動	壓把移動	標準附件	備註	單價
SSP-102-B	980	115	65°	90°	SSP-FC-14134	U型壓把、法蘭座、直手把	•

Wa) 注意

- 附件請參考本單元夾鉗附件
- 1N=0.101972kgf

訂貨： 交期：

SSP-102-B



... 不燃性規格



... 防靜電規格



... 抗菌規格

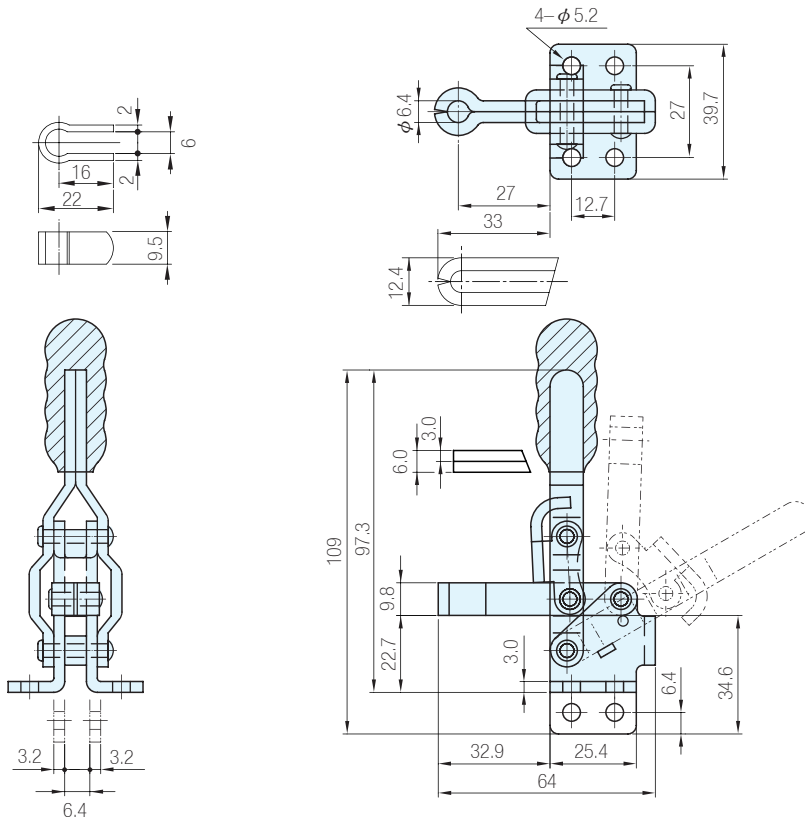
SOFT ... 軟性製品

CLEAN ... CLEAN製品

SUS



鋼	不銹鋼
材質	處理
鋼	鍍鋅
不銹鋼	不銹鋼



夾持零件

品號	夾持力 (N)	質量 (g)	把手移動	壓把移動	標準附件	備註	單價
SSP-12050	892	170	60°	100°	SSP-FC-14134	法蘭座、直手把	·
SSP-12055						直座、直手把	
SSP-12050-U						U型壓把、法蘭座、直手把	
SSP-12055-U						U型壓把、直座、直手把	
SSP-12050-SS					不銹鋼	·	

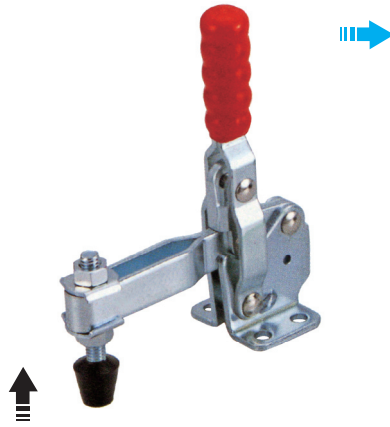
Wa) 注意

- 附件請參考本單元夾鉗附件
- 1N=0.101972kgf

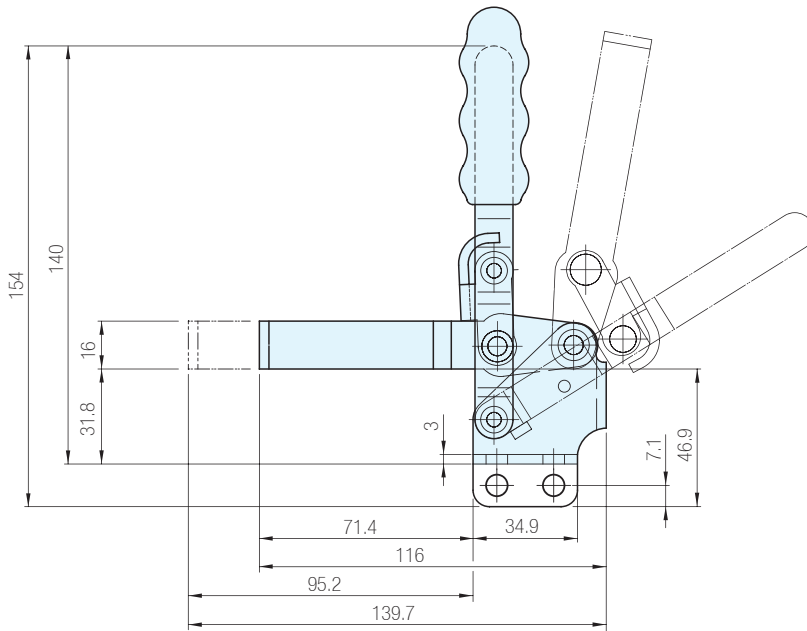
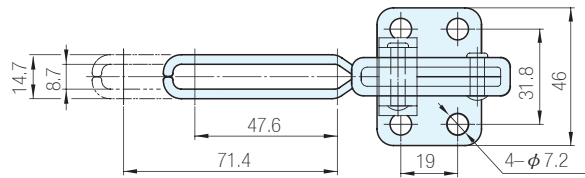
訂貨： 交期：

SSP-12050

SUS



	鋼	不銹鋼
材質	處理	材質
鋼	鍍鋅	不銹鋼



夾持零件

品號	夾持力 (N)	質量 (g)	把手移動	壓把移動	標準附件	備註	單價
SSP-12130	2225	355	60°	100°	SSP-FC-56212	短U型把、法蘭座、直手把	·
SSP-12132		370				長U型把、法蘭座、直手把	·
SSP-12135		355				短U型把、直座、直手把	·
SSP-12137		370				長U型把、直座、直手把	·
SSP-12130-SS		375			-	不銹鋼	·

Wa) 注意

- 附件請參考本單元夾鉗附件
- 1N=0.101972kgf

訂貨： 交期： 天

SSP-12130



... 不燃性規格



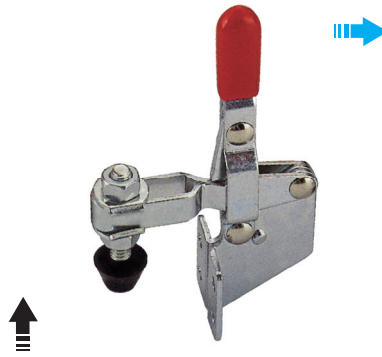
... 防靜電規格



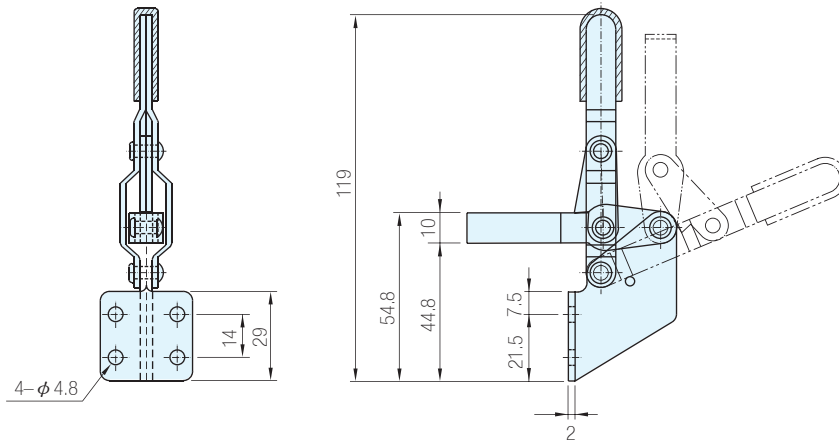
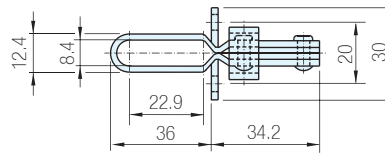
... 抗菌規格

SOFT ... 軟性製品

CLEAN ... CLEAN製品



材質	處理
鋼	鍍鋅



夾持零件

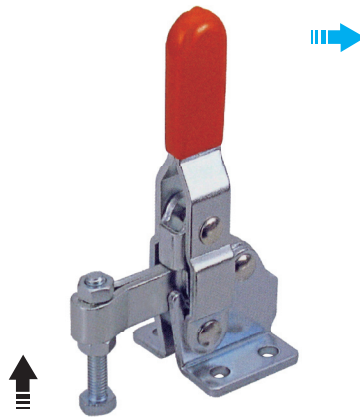
品號	夾持力 (N)	質量 (g)	把手移動	壓把移動	標準附件	備註	單價
SSP-101-B	980	135	65°	90°	SSP-FC-14134	U型壓把、側座、直手把	•

Wa) 注意

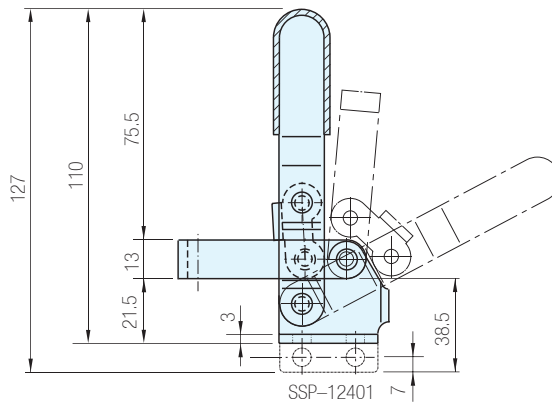
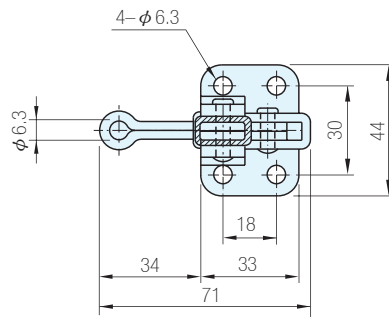
- 附件請參考本單元夾鉗附件
- 1N=0.101972kgf

訂貨： 交期： 天

SSP-101-B



材質	處理
鋼	鍍鋅



夾持零件

品號	夾持力 (N)	質量 (g)	把手移動	壓把移動	標準附件	備註	單價
SSP-11401	980	200	65°	95°	SSP-SA-064010	法蘭座	·
SSP-12401						直座	

Wa. 注意

- 附件請參考本單元夾鉗附件
- 1N=0.101972kgf

訂貨： 交期：

SSP-11401



... 不燃性規格



... 防靜電規格

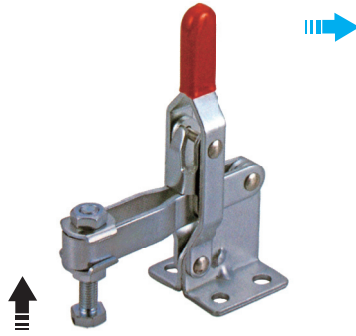


... 抗菌規格

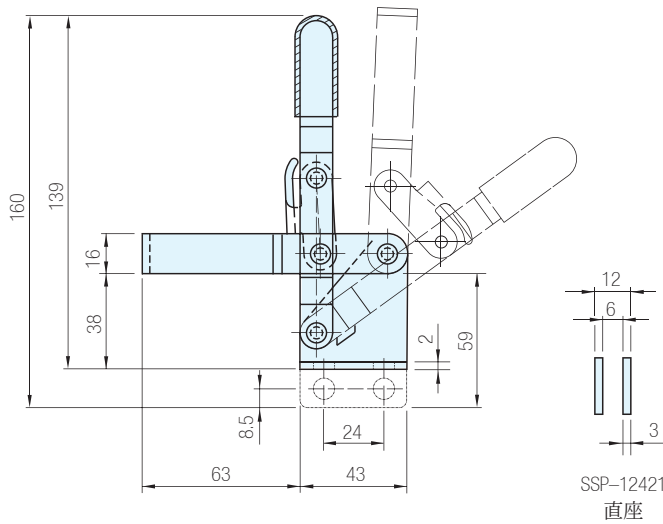
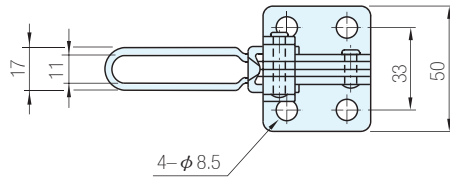
SOFT ... 軟性製品

CLEAN ... CLEAN製品

SUS



	鋼	不銹鋼
材質	處理	材質
鋼	鍍鋅	不銹鋼



夾持零件

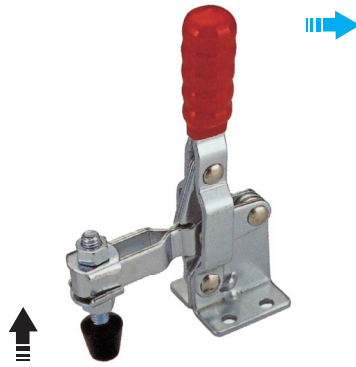
品號	夾持力 (N)	質量 (g)	把手移動	壓把移動	標準附件	備註	單價
SSP-11421	1470	320	45°	94°	SSP-SA-085012	法蘭座	·
SSP-12421						直座	
SSP-11421-SS					-	法蘭座、不銹鋼	·

Wa. 注意

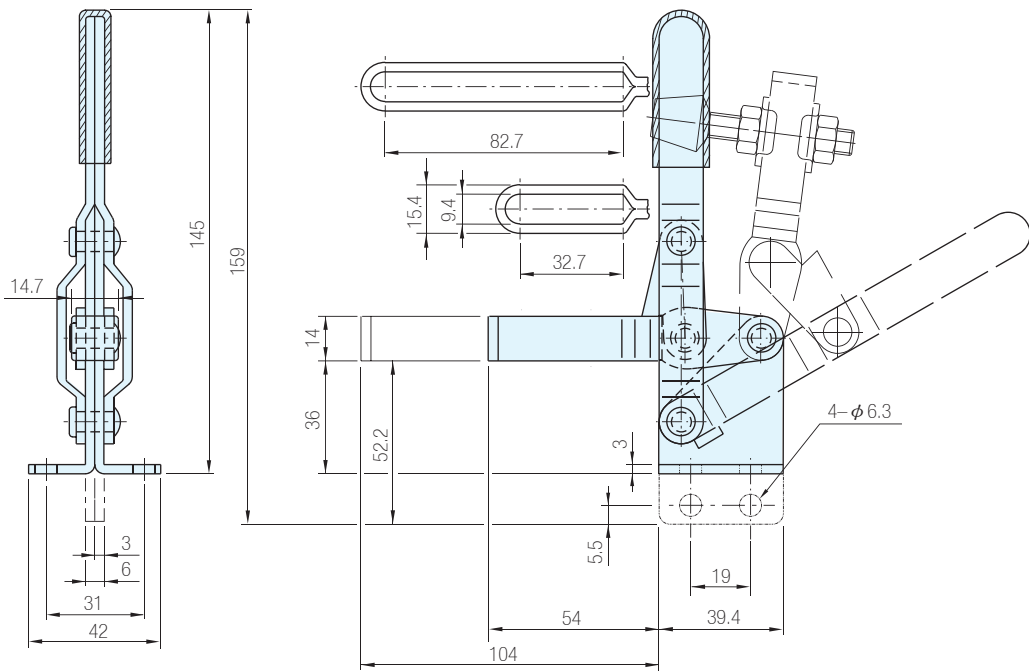
- 附件請參考本單元夾鉗附件
- 1N=0.101972kgf

訂貨： 交期：

SSP-11421



材質	處理
鋼	鍍鋅



夾持零件

品號	夾持力 (N)	質量 (g)	把手移動	壓把移動	標準附件	備註	單價
SSP-101-D	1764	330	60°	100°	SSP-FC-56212	U型壓把、法蘭座、直手把	·
SSP-101-DI						U型壓把、直座、直手把	·
SSP-101-E		360				長U型壓把、法蘭座、直手把	·
SSP-101-EI	長U型壓把、直座、直手把		·				

Wa) 注意

- 附件請參考本單元夾鉗附件
- 1N=0.101972kgf

訂貨： 品號 交期： 天

SSP-101-D



... 不燃性規格



... 防靜電規格

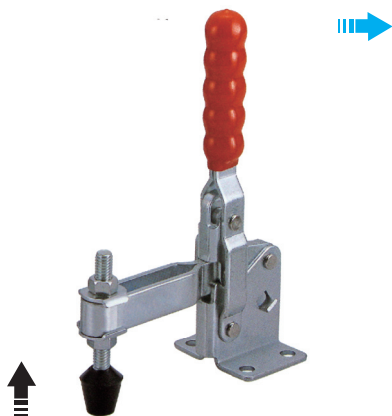


... 抗菌規格

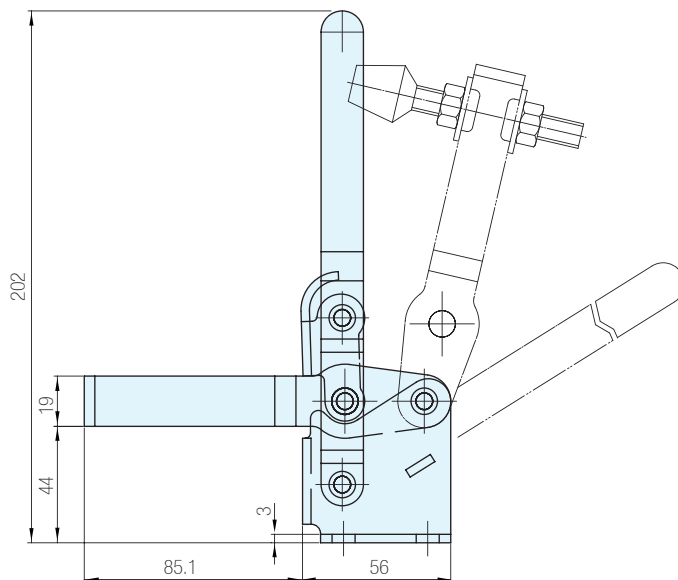
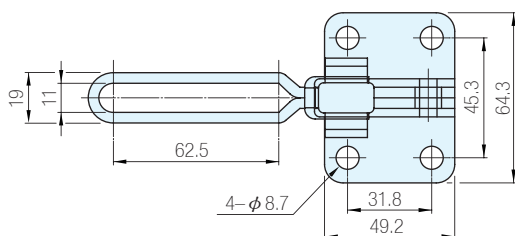
SOFT ... 軟性製品

CLEAN ... CLEAN製品

SUS



	鋼	不銹鋼
材質	處理	材質
鋼	鍍鋅	不銹鋼



夾持零件

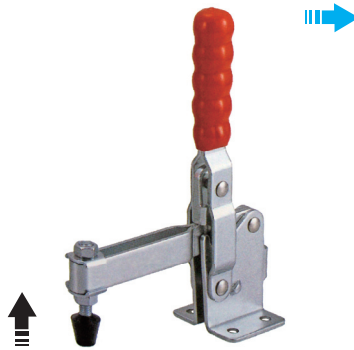
品號	夾持力 (N)	質量 (g)	把手移動	壓把移動	標準附件	備註	單價
SSP-12265	3332	635	58°	105°	SSP-FC-38312	U型把、法蘭座、直手把	·
SSP-12270		635				U型把、直座、直手把	·
SSP-12265-SS		735			-	不銹鋼	·

Wa. 注意

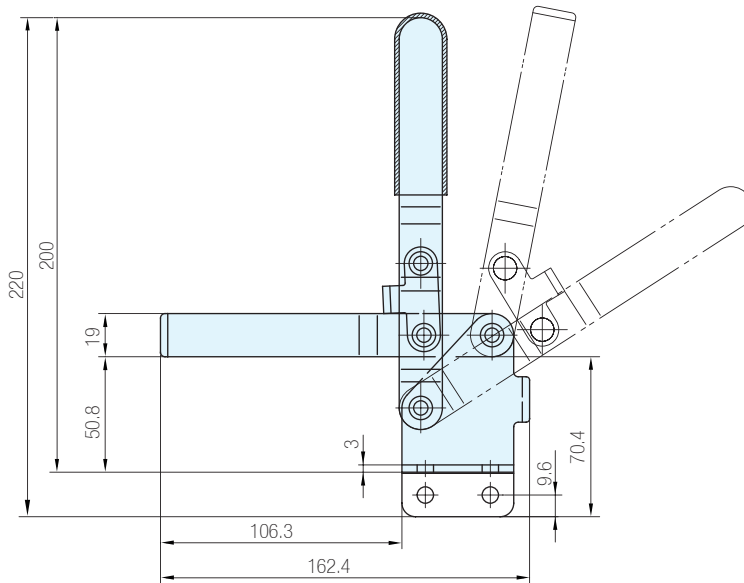
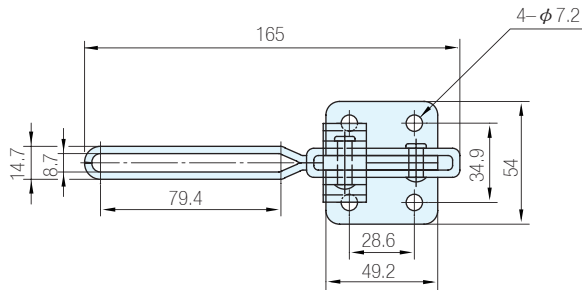
- 附件請參考本單元夾鉗附件
- 1N=0.101972kgf

訂貨： 交期：

SSP-12265



材質	處理
鋼	鍍鋅



夾持零件

品號	夾持力 (N)	質量 (g)	把手移動	壓把移動	標準附件	備註	單價
SSP-12205	1784	620	57°	101°	SSP-FC-56212	U型壓把、法蘭座	·
SSP-12210						U型壓把、直座	

Wa. 注意

- 附件請參考本單元夾鉗附件
- 1N=0.101972kgf

訂貨： 交期：

SSP-12205



... 不燃性規格



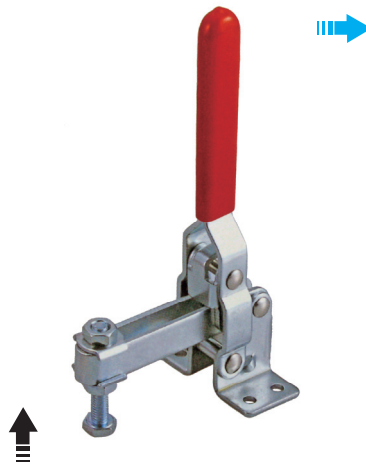
... 防靜電規格



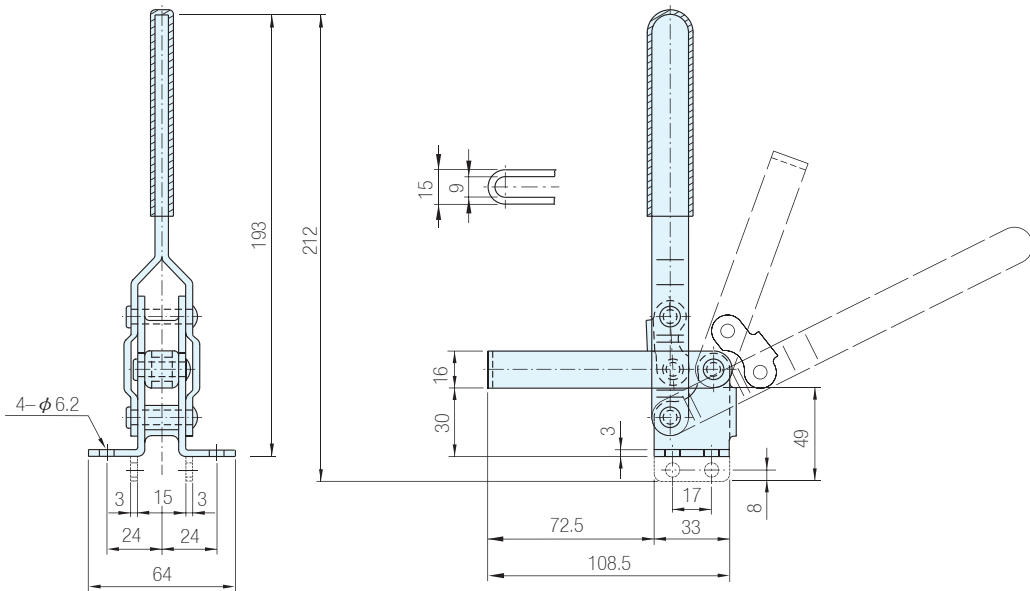
... 抗菌規格

SOFT ... 軟性製品

CLEAN ... CLEAN製品



材質	處理
鋼	鍍鋅



夾持零件

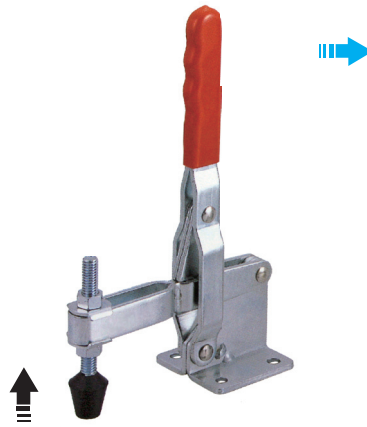
品號	夾持力 (N)	質量 (g)	把手移動	壓把移動	標準附件	備註	單價
SSP-11412	1960	370	64°	110°	SSP-SA-085012	法蘭座	·
SSP-12412						直座	·

Wa. 注意

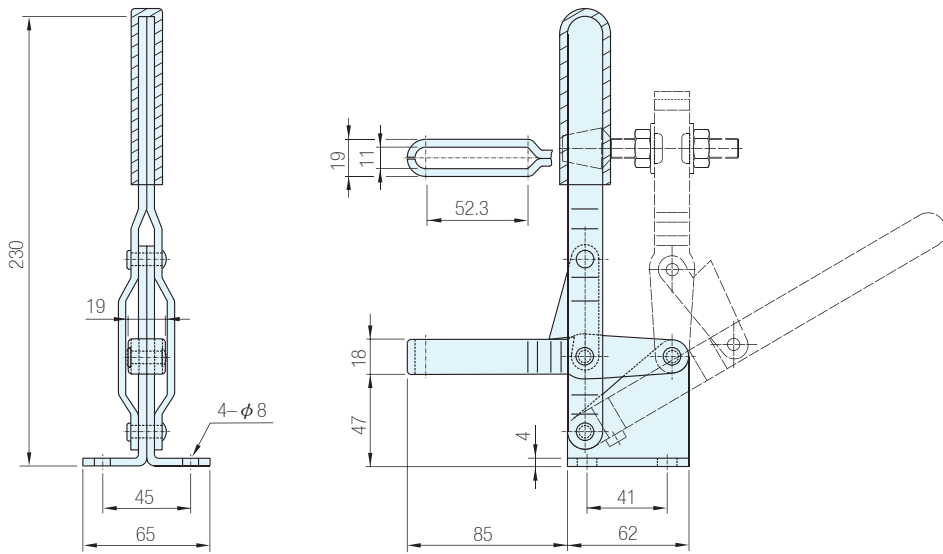
- 附件請參考本單元夾鉗附件
- 1N=0.101972kgf

訂貨： 交期：

SSP-11412



材質	處理
鋼	鍍鋅



夾持零件

品號	夾持力 (N)	質量 (g)	把手移動	壓把移動	標準附件	備註	單價
SSP-101-EL	3528	81	60°	90°	SSP-FC-38312	法蘭座	•

Wa. 注意

- 附件請參考本單元夾鉗附件
- 1N=0.101972kgf

訂貨： 交期：

SSP-101-EL



... 不燃性規格



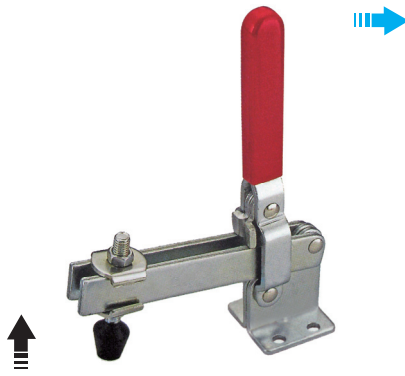
... 防靜電規格



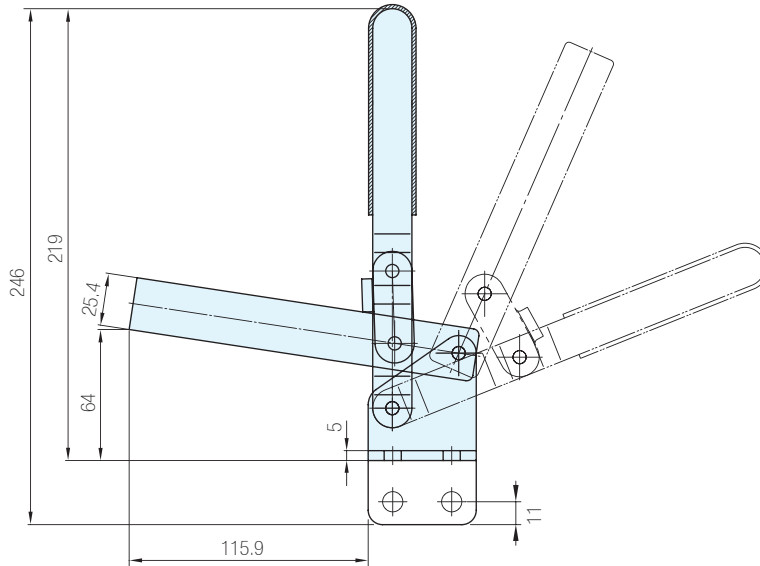
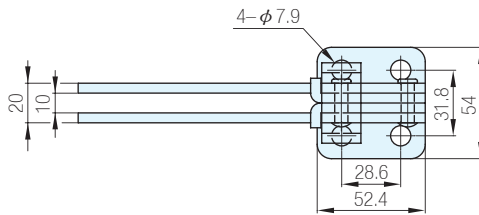
... 抗菌規格

SOFT ... 軟性製品

CLEAN ... CLEAN製品



材質	處理
鋼	鍍鋅



夾持零件

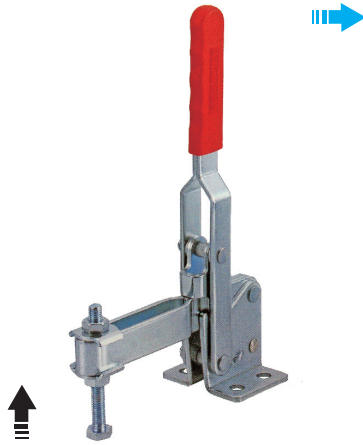
品號	夾持力 (N)	質量 (g)	把手移動	壓把移動	標準附件	備註	單價
SSP-12305	3567	990	65°	100°	SSP-FC-38312	一型把、法蘭座	·
SSP-12310						一型把、直座	

Wa. 注意

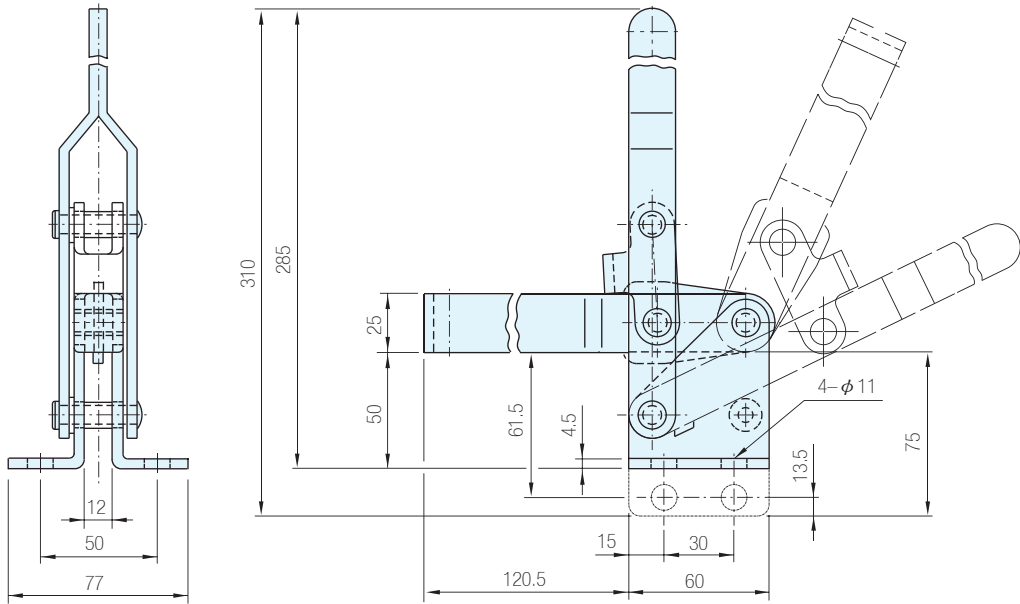
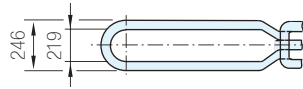
- 附件請參考本單元夾鉗附件
- 1N=0.101972kgf

訂貨： 交期：

SSP-12305



材質	處理
鋼	鍍鋅



夾持零件

品號	夾持力 (N)	質量 (g)	把手移動	壓把移動	標準附件	備註	單價
SSP-14412	2940	1140	67°	140°	SSP-SA-109015	法蘭座	·
SSP-13412						直座	

Wa. 注意

- 附件請參考本單元夾鉗附件
- 1N=0.101972kgf

訂貨： 交期：

SSP-14412



... 不燃性規格



... 防靜電規格

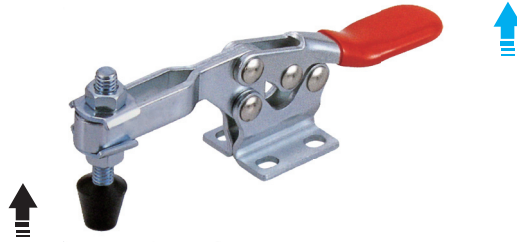


... 抗菌規格

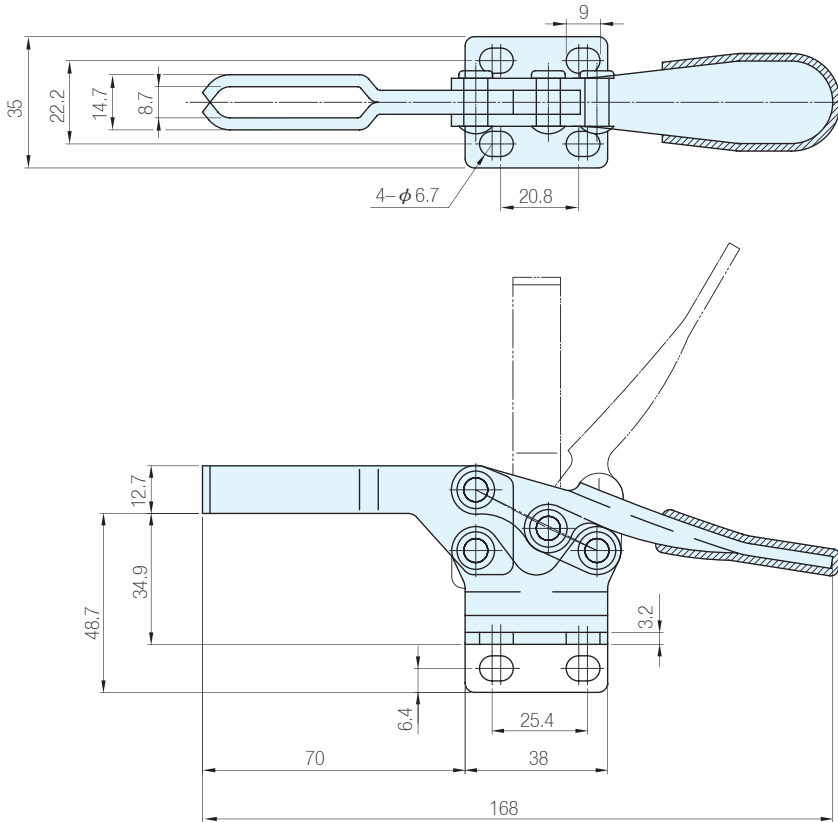
SOFT ... 軟性製品

CLEAN ... CLEAN製品

SUS



鋼		不銹鋼
材質	處理	材質
鋼	鍍鋅	不銹鋼



夾持零件

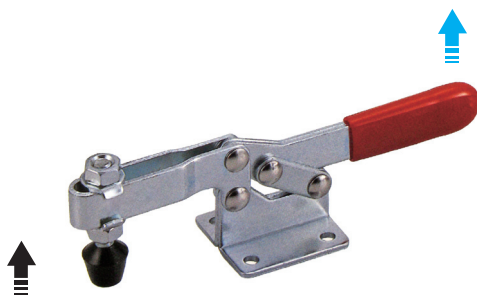
品號	夾持力 (N)	質量 (g)	把手移動	壓把移動	標準附件	備註	單價
SSP-225-D	2225	265	65°	90°	SSP-FC-56212	U型壓把、法蘭座	·
U型壓把、直座						·	
SSP-225-DSS					-	不銹鋼	·

Wa) 注意

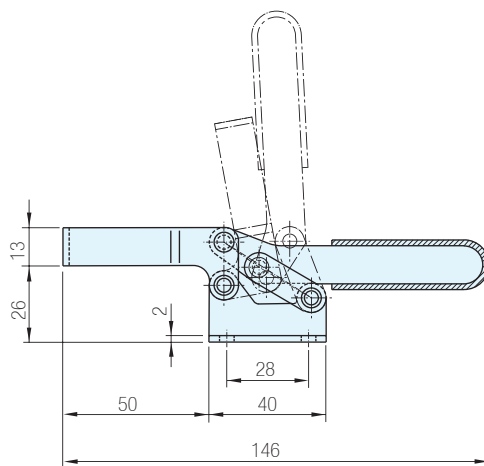
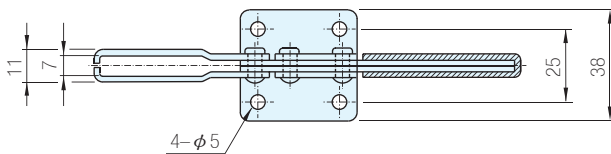
- 附件請參考本單元夾鉗附件
- 1N=0.101972kgf

訂貨： 交期：

SSP-225-D



材質	處理
鋼	鍍鋅



夾持零件

品號	夾持力 (N)	質量 (g)	把手移動	壓把移動	標準附件	單價
SSP-201-C	980	140	87°	79°	SSP-FC-14134	·

Wa 注意

- 附件請參考本單元夾鉗附件
- 1N=0.101972kgf

訂貨： 品號 交期： 天

SSP-201-C



... 不燃性規格



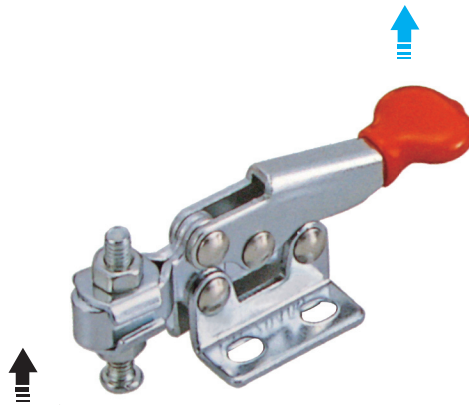
... 防靜電規格



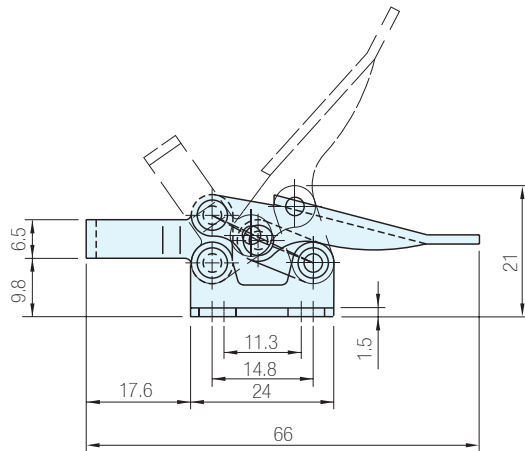
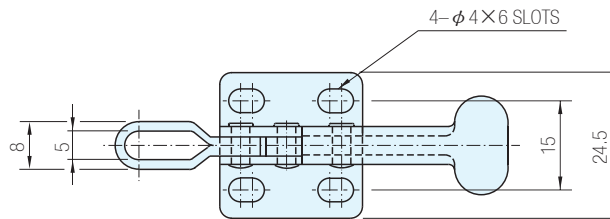
... 抗菌規格

SOFT ... 軟性製品

CLEAN ... CLEAN製品



材質	處理
鋼	鍍鋅



夾持零件

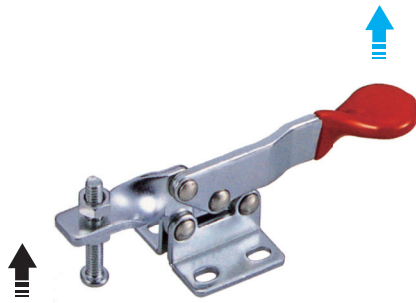
品 號	夾持力 (N)	質 量 (g)	把手移動	壓把移動	標準附件	單 價
SSP-20400	196	25.5	60°	55°	SSP-SA-042507	•

Wa) 注意

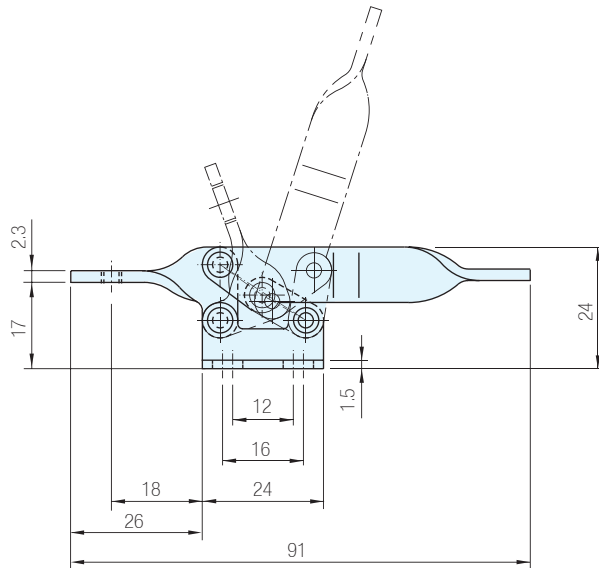
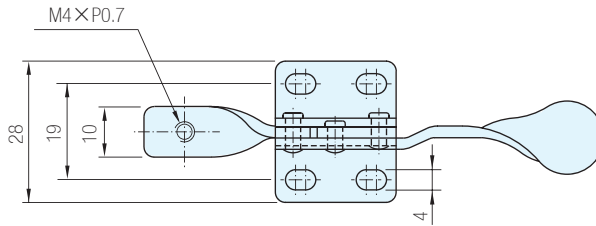
- 附件請參考本單元夾鉗附件
- 1N=0.101972kgf

訂貨： 交期：

SSP-20400



材質	處理
鋼	鍍鋅



夾持零件

品號	夾持力 (N)	質量 (g)	把手移動	壓把移動	標準附件	單價
SSP-20100	196	35	75°	70°	SSP-SA-042507	•

Wa) 注意

- 附件請參考本單元夾鉗附件
- 1N=0.101972kgf

訂貨： 交期： 天

SSP-20100



... 不燃性規格



... 防靜電規格



... 抗菌規格

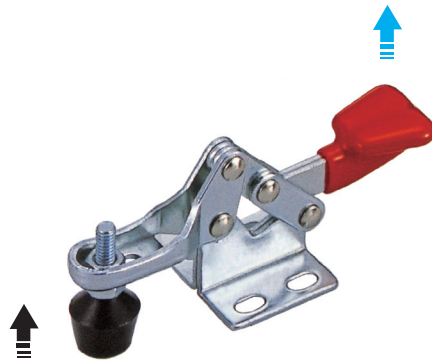


... 軟性製品

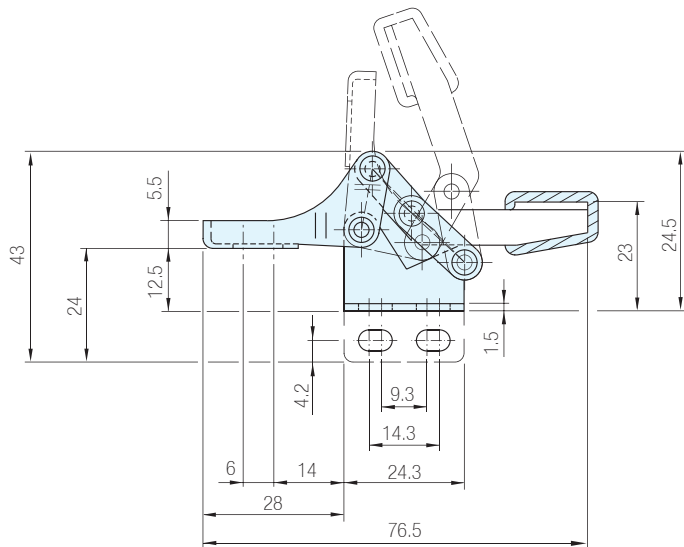
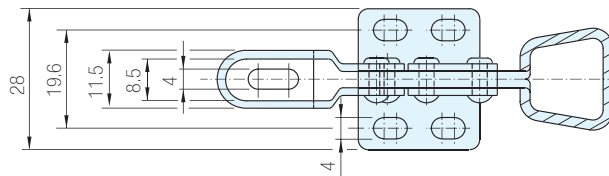


... CLEAN製品

SUS



	鋼	不銹鋼
材質	處理	材質
鋼	鍍鋅	不銹鋼



夾持零件

品號	夾持力 (N)	質量 (g)	把手移動	壓把移動	標準附件	備註	單價
SSP-20800	294	40	88°	80°	SSP-FC-042507	法蘭座	·
SSP-21800						直座	
SSP-20800-SS					-	法蘭座、不銹鋼	·

Wa) 注意

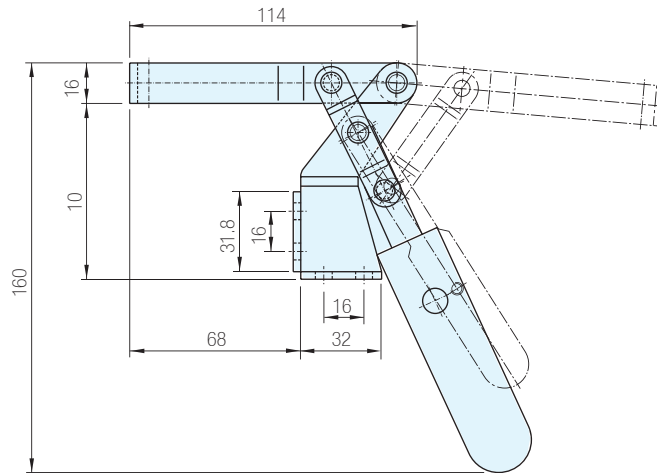
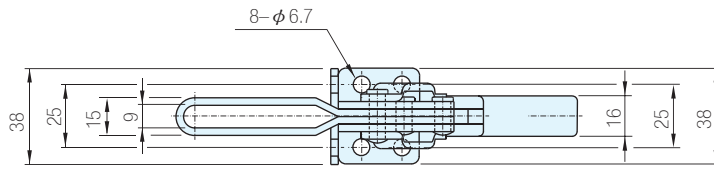
- 附件請參考本單元夾鉗附件
- 1N=0.101972kgf

訂貨： 交期：

SSP-20800



材質	處理
鋼	鍍鋅



夾持零件

品號	夾持力 (N)	質量 (g)	把手移動	壓把移動	標準附件	備註	單價
SSP-20820	980	400	60°	185°	SSP-FC-56212	-	•

Wa 注意

- 附件請參考本單元夾鉗附件
- 1N=0.101972kgf

訂貨： 交期：

SSP-20820



... 不燃性規格



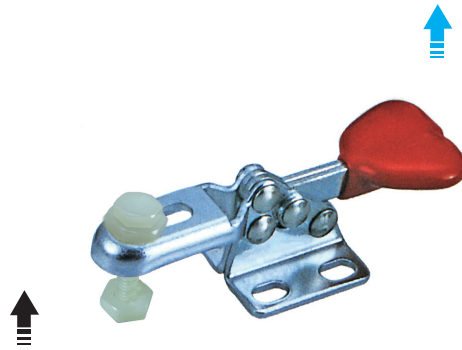
... 防靜電規格



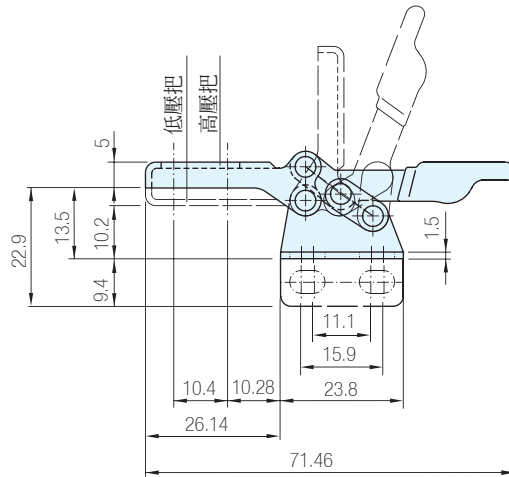
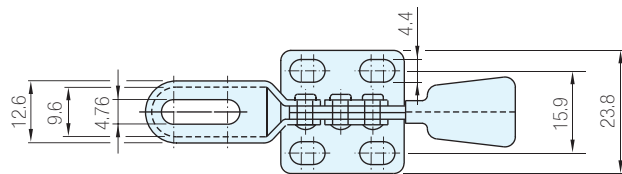
... 抗菌規格

SOFT ... 軟性製品

CLEAN ... CLEAN製品



材質	處理
鋼	鍍鋅



夾持零件

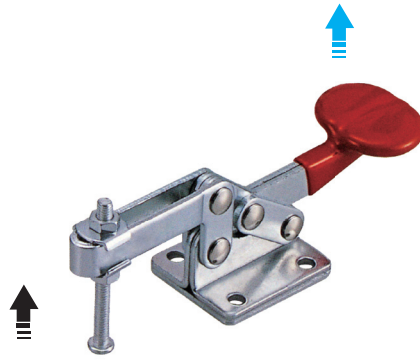
品號	夾持力 (N)	質量 (g)	把手移動	壓把移動	標準附件	備註	單價
SSP-22005	222	25	60°	90°	SSP-SA-08034	高壓把、法蘭座	·
SSP-22010						高壓把、直座	
SSP-22025						低壓把、法蘭座	
SSP-22030						低壓把、直座	

Wa. 注意

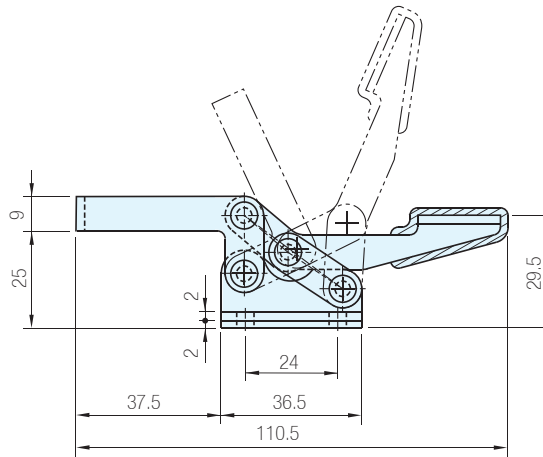
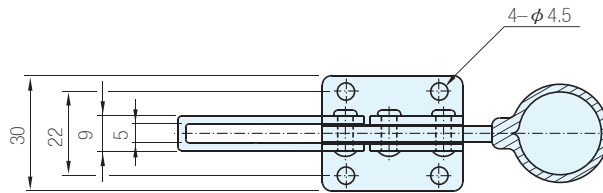
- 附件請參考本單元夾鉗附件
- 1N=0.101972kgf

訂貨： 交期：

SSP-22005



材質	處理
鋼	鍍鋅



夾持零件

品號	夾持力 (N)	質量 (g)	把手移動	壓把移動	標準附件	備註	單價
SSP-20300	294	100	55°	65°	SSP-SA-044007	法蘭座	·

Wa) 注意

- 附件請參考本單元夾鉗附件
- 1N=0.101972kgf

訂貨： 交期：

SSP-20300



... 不燃性規格



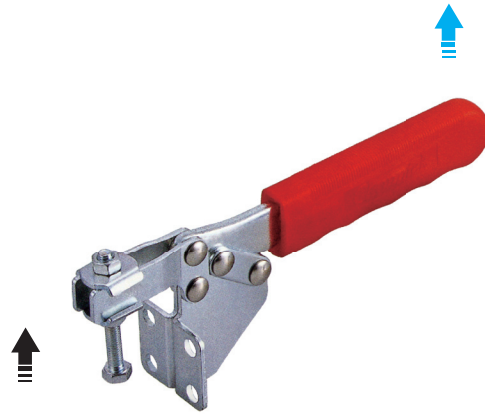
... 防靜電規格



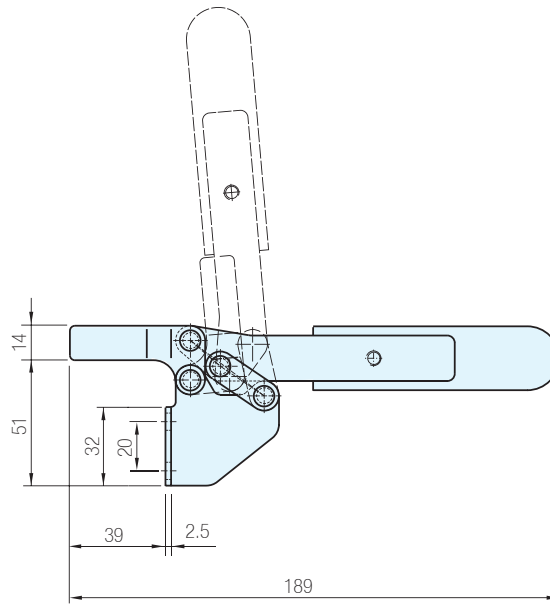
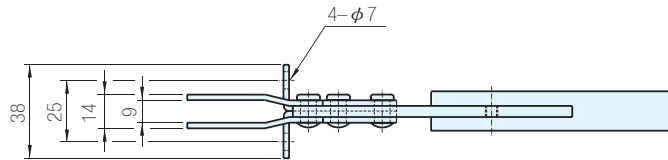
... 抗菌規格

SOFT ... 軟性製品

CLEAN ... CLEAN製品



材質	處理
鋼	鍍鋅



夾持零件

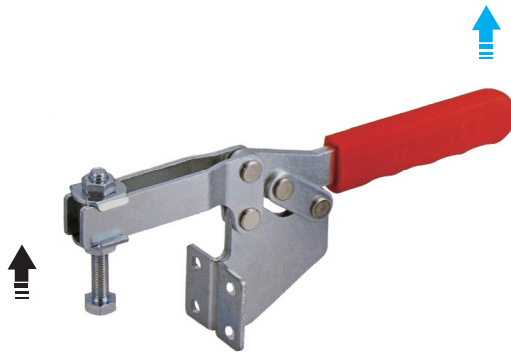
品號	夾持力 (N)	質量 (g)	把手移動	壓把移動	標準附件	備註	單價
SSP-21383	2450	210	72°	72°	SSP-SA-065010	-	•

Wa) 注意

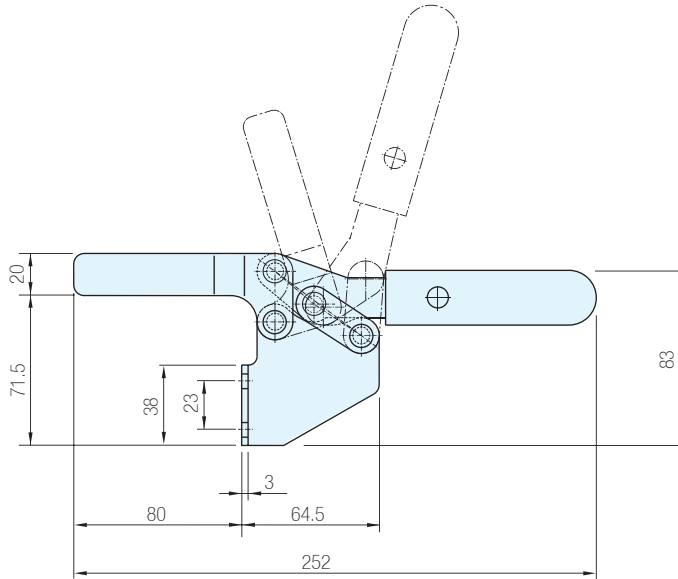
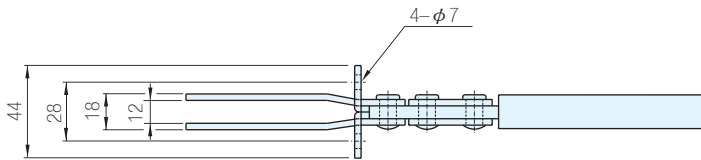
- 附件請參考本單元夾鉗附件
- 1N=0.101972kgf

訂貨： 交期：

SSP-21383



材質	處理
鋼	鍍鋅



夾持零件

品號	夾持力 (N)	質量 (g)	把手移動	壓把移動	標準附件	備註	單價
SSP-25383	2744	435	80°	80°	SSP-SA-086512	-	•

Wa. 注意

- 附件請參考本單元夾鉗附件
- 1N=0.101972kgf

訂貨： 交期：

SSP-25383



... 不燃性規格



... 防靜電規格



... 抗菌規格

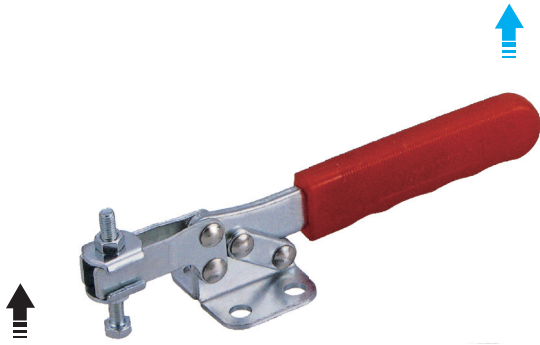


... 軟性製品

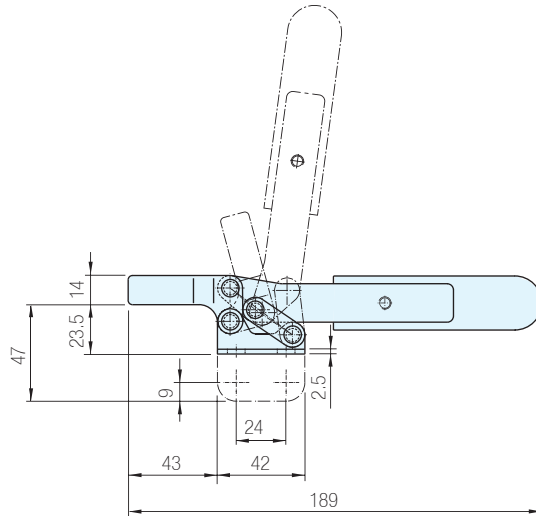
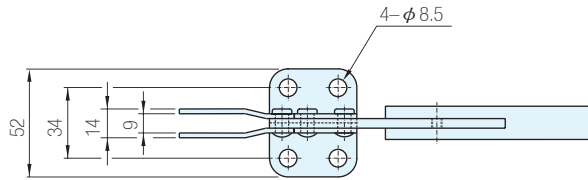


... CLEAN製品

SUS



	鋼	不銹鋼
材質	處理	材質
鋼	鍍鋅	不銹鋼



夾持零件

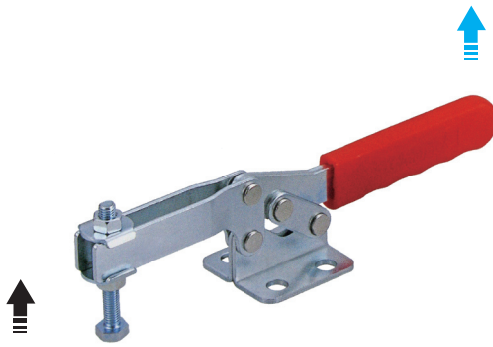
品號	夾持力 (N)	質量 (g)	把手移動	壓把移動	標準附件	備註	單價
SSP-21382	2450	190	70°	75°	SSP-SA-065010	法蘭座	·
直座							
SSP-21382-SS					-	法蘭座、不銹鋼	·

Wa) 注意

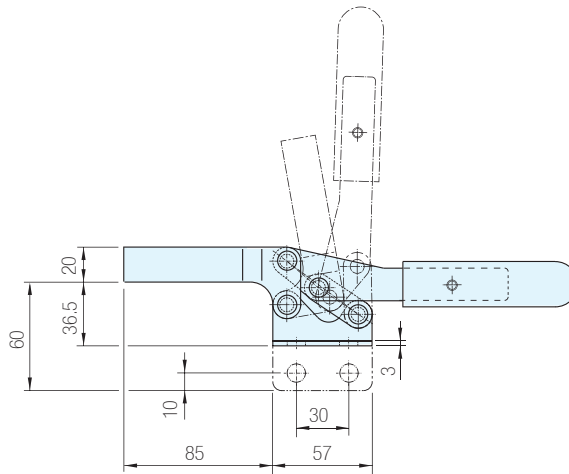
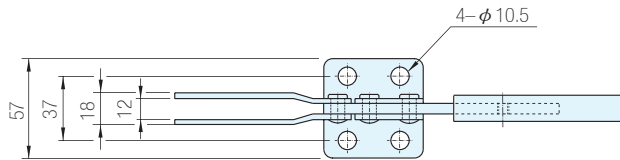
- 附件請參考本單元夾鉗附件
- 1N=0.101972kgf

訂貨： 交期： 天

SSP-21382



材質	處理
鋼	鍍鋅



夾持零件

品號	夾持力 (N)	質量 (g)	把手移動	壓把移動	標準附件	備註	單價
SSP-25382	2744	380	80°	80°	SSP-SA-086512	法蘭座	·
SSP-26382						直座	

Wa. 注意

- 附件請參考本單元夾鉗附件
- 1N=0.101972kgf

訂貨： 交期： 天

SSP-25382



... 不燃性規格



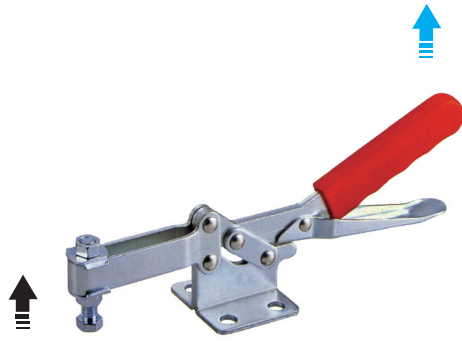
... 防靜電規格



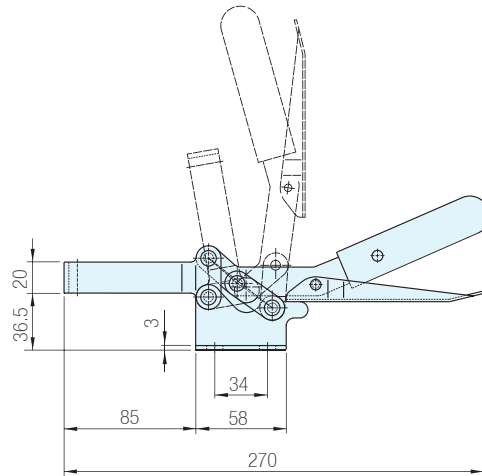
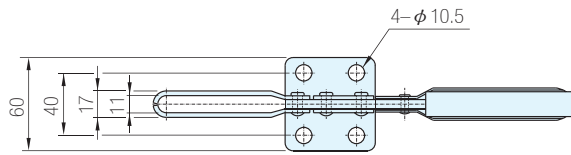
... 抗菌規格

SOFT ... 軟性製品

CLEAN ... CLEAN製品



材質	處理
鋼	鍍鋅



夾持零件

品號	夾持力 (N)	質量 (g)	把手移動	壓把移動	標準附件	備註	單價
SSP-21385	2940	490	85°	80°	SSP-SA-38200	-	•

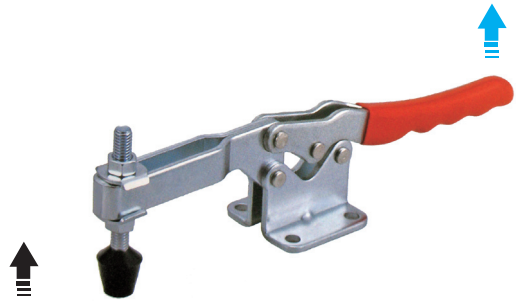
Wa. 注意

- 附件請參考本單元夾鉗附件
- 1N=0.101972kgf

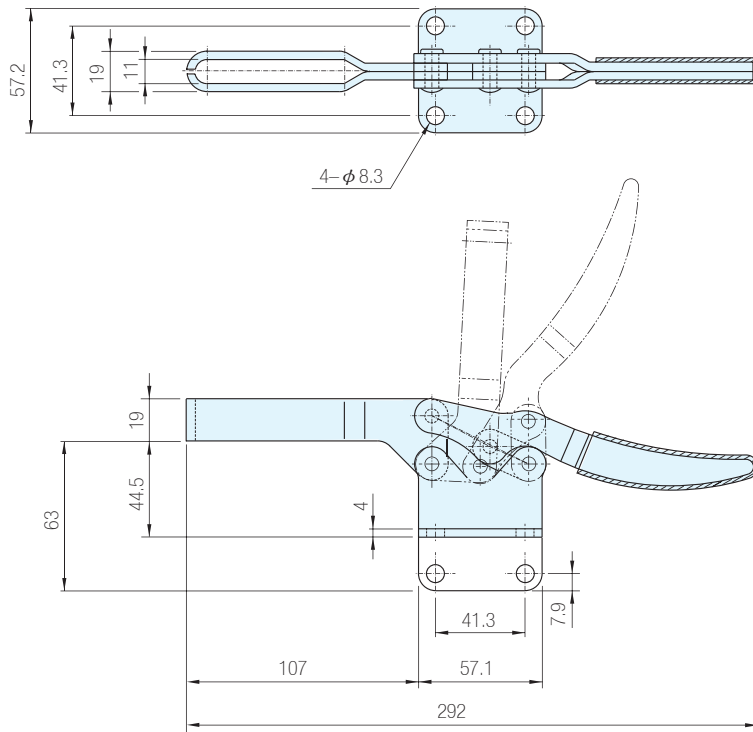
訂貨： 交期：

SSP-21385

SUS



銅	不銹鋼
材質	處理
鋼	鍍鋅
不銹鋼	不銹鋼



夾持零件

品號	夾持力 (N)	質量 (g)	把手移動	壓把移動	標準附件	備註	單價
SSP-20235	3332	640	50°	85°	SSP-FC-38312	U型壓把、法蘭座	·
SSP-20236						U型壓把、直座	
SSP-20235-SS					-	不銹鋼、法蘭座	·

Wa) 注意

- 附件請參考本單元夾鉗附件
- 1N=0.101972kgf

訂貨： 交期： 天

SSP-20235



... 不燃性規格



... 防靜電規格



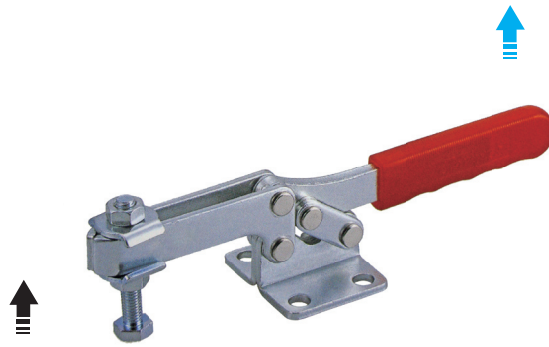
... 抗菌規格



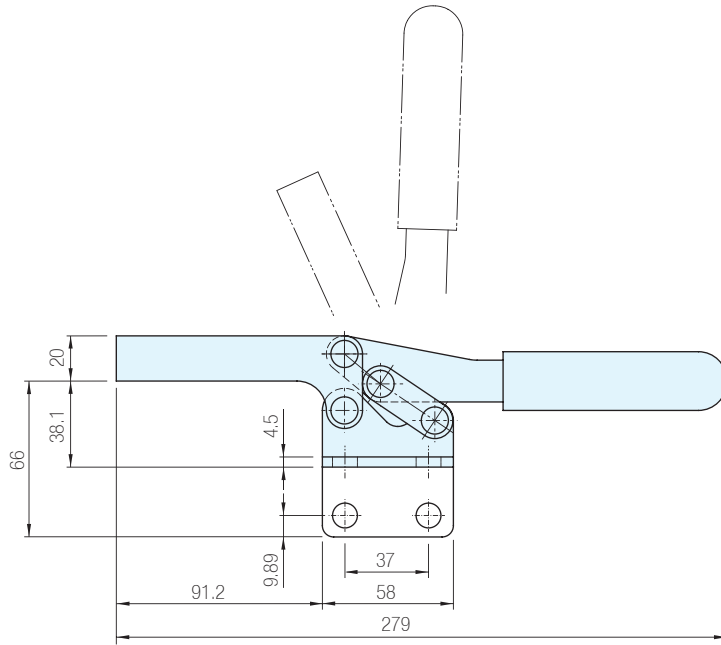
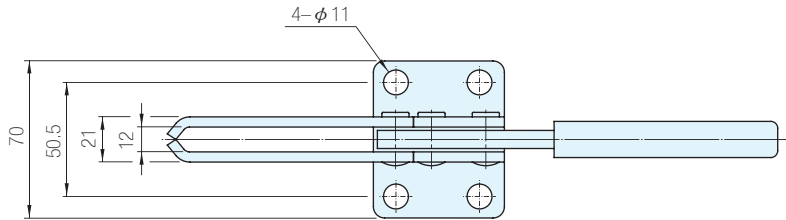
... 軟性製品



... CLEAN製品



材質	處理
鋼	鍍鋅



夾持零件

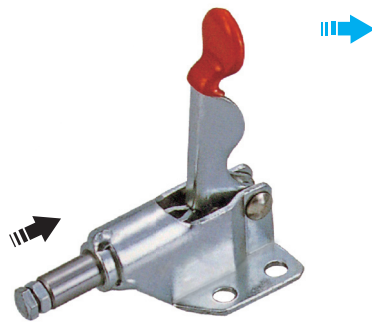
品號	夾持力 (N)	質量 (g)	把手移動	壓把移動	標準附件	備註	單價
SSP-21384	4900	635	85°	65°	SSP-SA-106515	法蘭座	·
SSP-22384						直座	

Wa. 注意

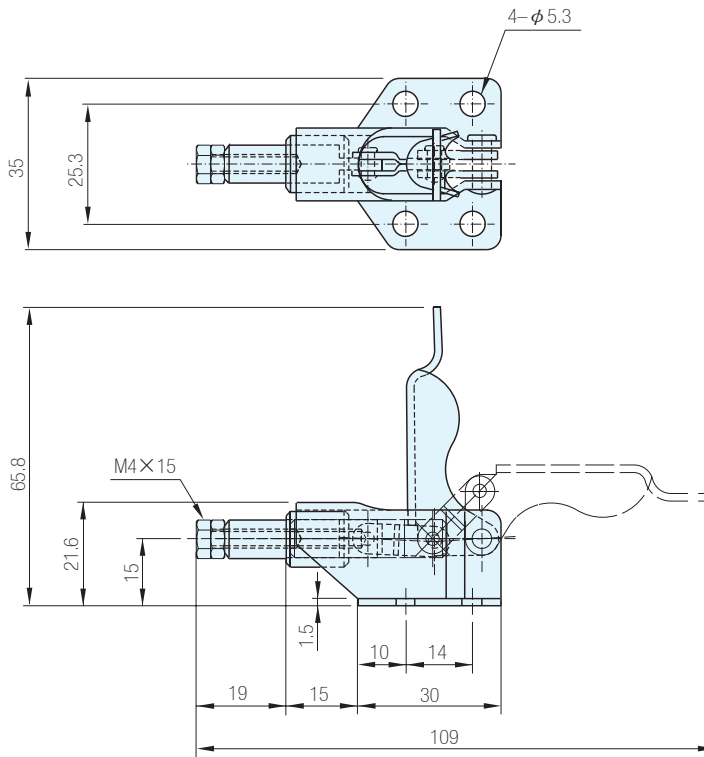
- 附件請參考本單元夾鉗附件
- 1N=0.101972kgf

訂貨： 品號 交期： 天

SSP-21384



材質	處理
鋼	鍍鋅



夾持零件

品號	夾持力 (N)	質量 (g)	把手移動	行程	標準附件	單價
SSP-36006	490	70	93°	13	SSP-SA-041507	•

Wa. 注意

- 附件請參考本單元夾鉗附件
- 1N=0.101972kgf

訂貨： 交期： 天

SSP-36006



... 不燃性規格



... 防靜電規格



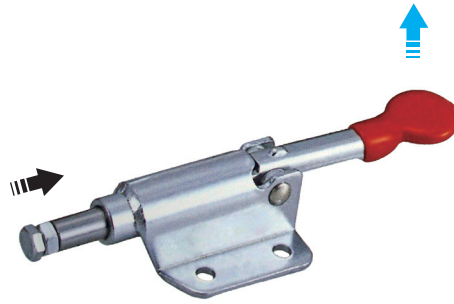
... 抗菌規格



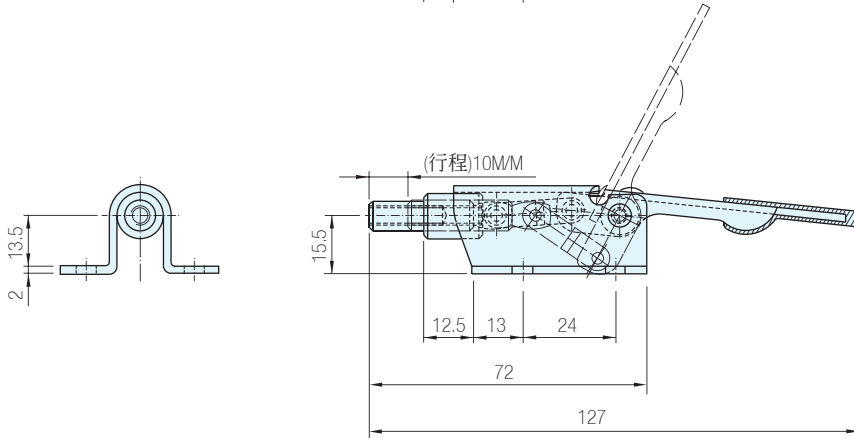
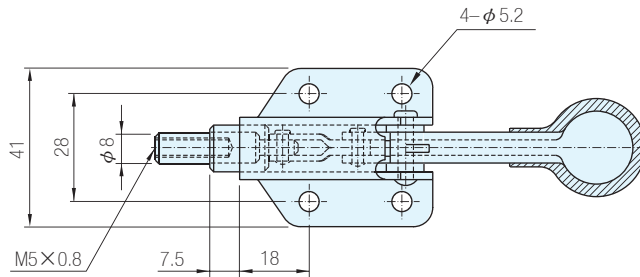
... 軟性製品



... CLEAN製品



材質	處理
鋼	鍍鋅



夾持零件

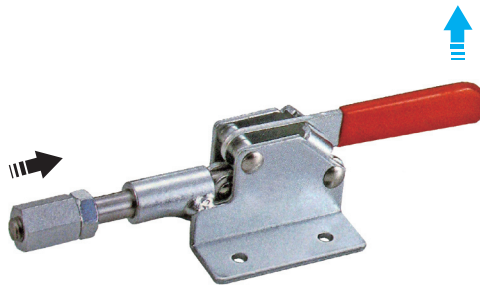
品號	夾持力 (N)	質量 (g)	把手移動	行程	標準附件	單價
SSP-36070	490	100	63°	10	SSP-SA-051508	•

Wa) 注意

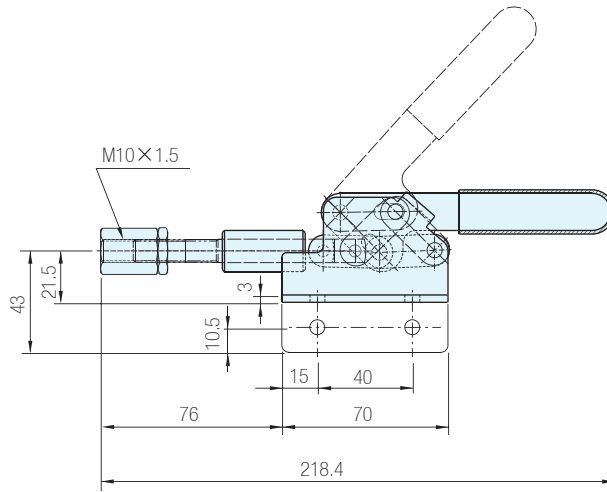
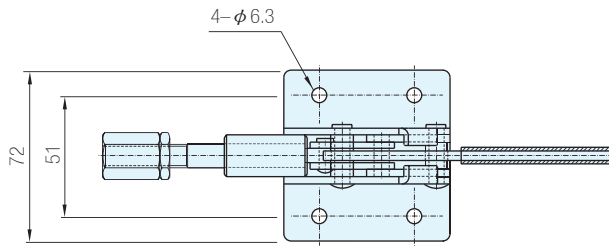
- 附件請參考本單元夾鉗附件
- 1N=0.101972kgf

訂貨： 交期：

SSP-36070



材質	處理
鋼	鍍鋅



夾持零件

品號	夾持力 (N)	質量 (g)	把手移動	行程	標準附件	備註	單價
SSP-302-DM	1564	454	45°	12	-	法蘭座	·
SSP-30282M						直座	·

Wa. 注意

· 1N=0.101972kgf

訂貨： 交期： 天

SSP-302-DM



... 不燃性規格



... 防靜電規格



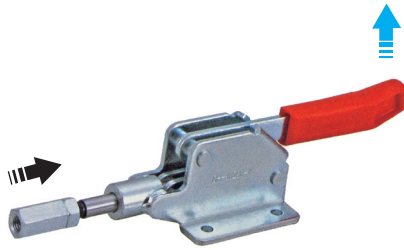
... 抗菌規格



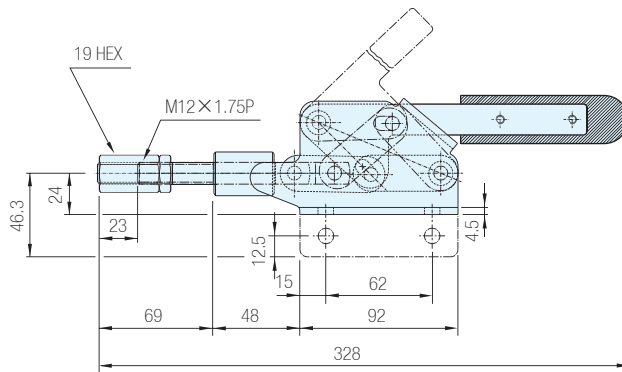
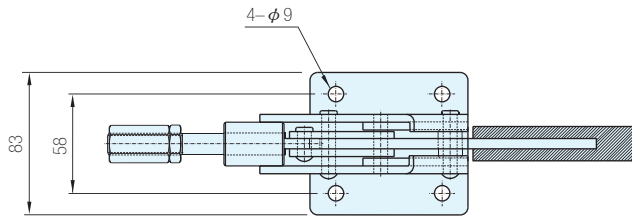
... 軟性製品



... CLEAN製品



材質	處理
鋼	鍍鋅



夾持零件

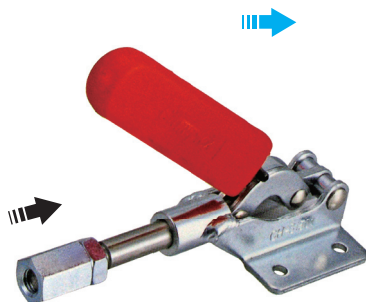
品號	夾持力 (N)	質量 (g)	把手移動	行程	標準附件	備註	單價
SSP-30290M	2891	1270	45°	23	-	法蘭座	·
SSP-30292M						直座	

Wa. 注意

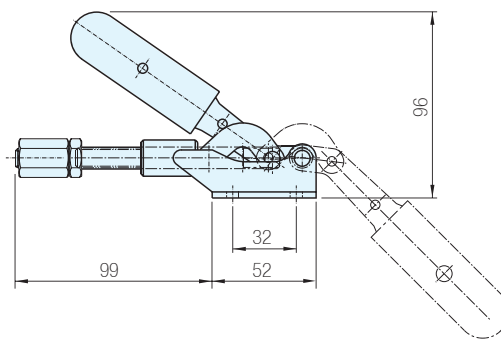
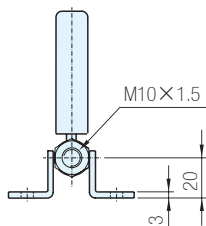
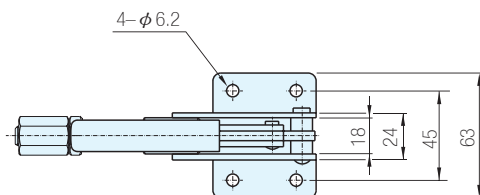
· 1N=0.101972kgf

訂貨： 交期： 天

SSP-30290M



材質	處理
鋼	鍍鋅



夾持零件

品號	夾持力 (N)	質量 (g)	把手移動	行程	標準附件	單價
SSP-31501	1960	335	190°	30	-	·

Wa. 注意

· 1N=0.101972kgf

訂貨： 交期： 天

SSP-31501



... 不燃性規格



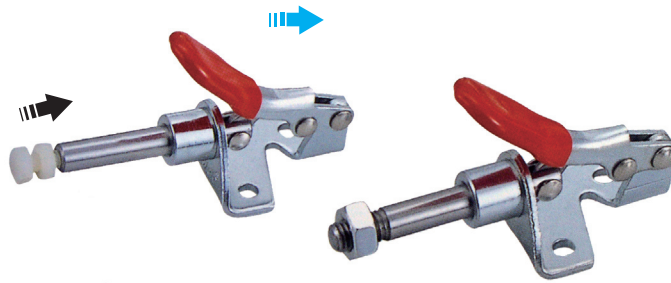
... 防靜電規格



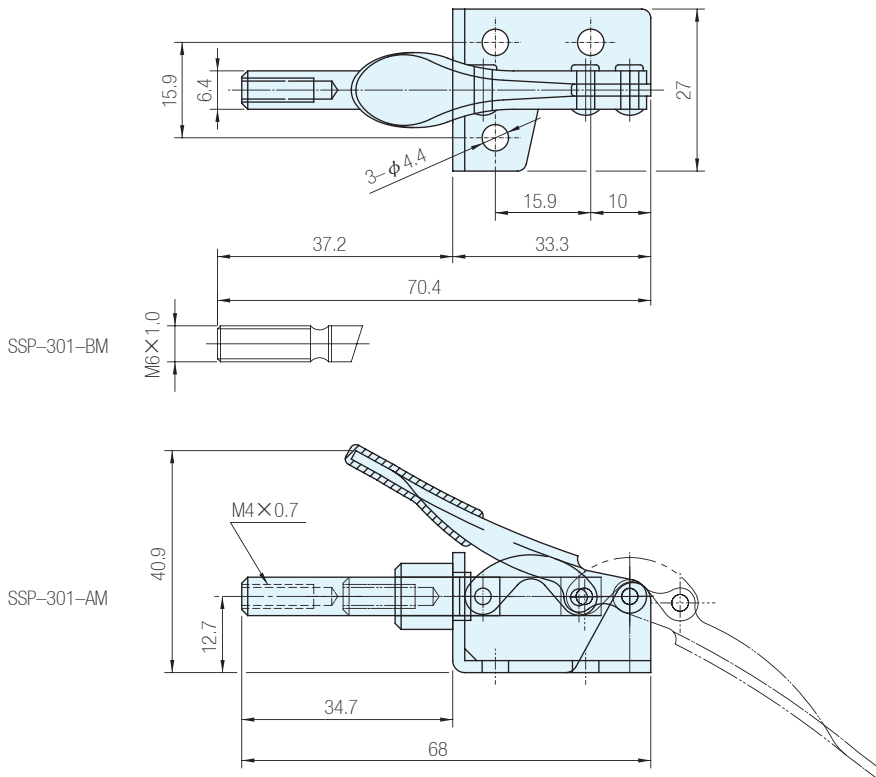
... 抗菌規格

SOFT ... 軟性製品

CLEAN ... CLEAN製品



材質	處理
鋼	鍍鋅



夾持零件

品號	夾持力 (N)	質量 (g)	把手移動	行程 mm	標準附件	備註	單價
SSP-301-AM	441	990	190°	16.7	SSP-SA-042007	法蘭座、內螺牙	·
SSP-301-BM					-	法蘭座、外螺牙	

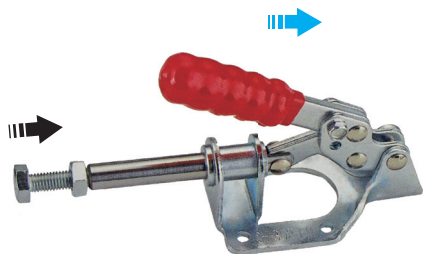
Wa. 注意

- 附件請參考本單元夾鉗附件
- 1N=0.101972kgf

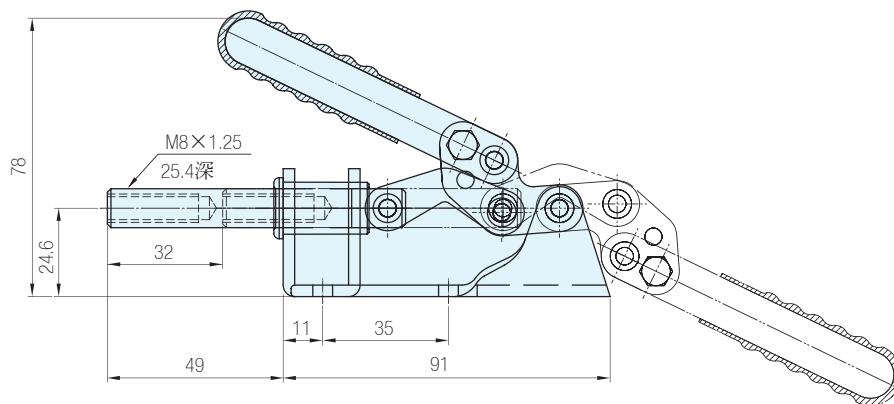
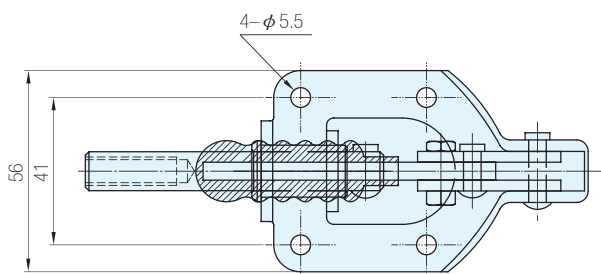
訂貨： 交期：

SSP-301-AM

SUS



	銅	不銹鋼
材質	處理	材質
鋼	鍍鋅	不銹鋼



夾持零件

品號	夾持力 (N)	質量 (g)	把手移動	行程 mm	標準附件	備註	單價
SSP-302-FM	1333	300	180°	32	-	法蘭座	·
SSP-302-FMSS						不銹鋼	·

Wa 注意

- 附件請參考本單元夾鉗附件
- 1N=0.101972kgf

訂貨： 品號 交期： 天

SSP-302-FM



... 不燃性規格



... 防靜電規格



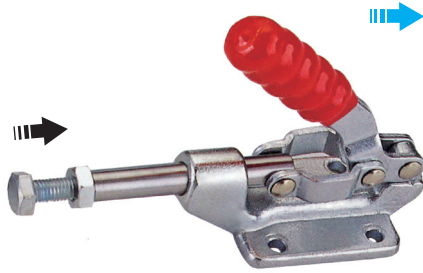
... 抗菌規格



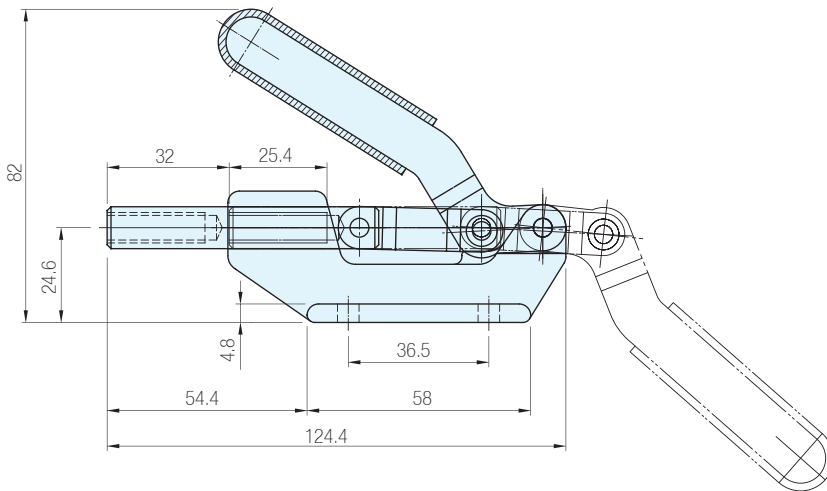
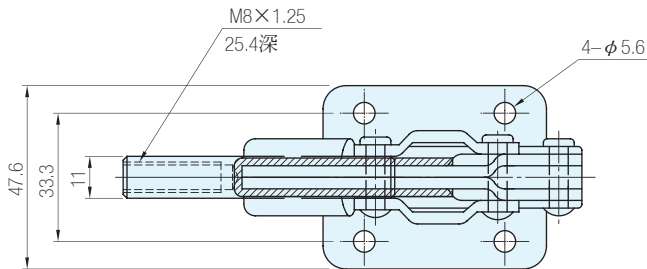
... 軟性製品



... CLEAN製品



材質	處理
鋼	鍍鋅



夾持零件

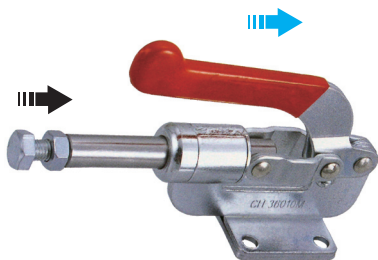
品號	夾持力 (N)	質量 (g)	把手移動	行程 mm	標準附件	備註	單價
SSP-36003M	2666	355	180°	31.8	SSP-SA-085012	鍛造底座	•

Wa) 注意

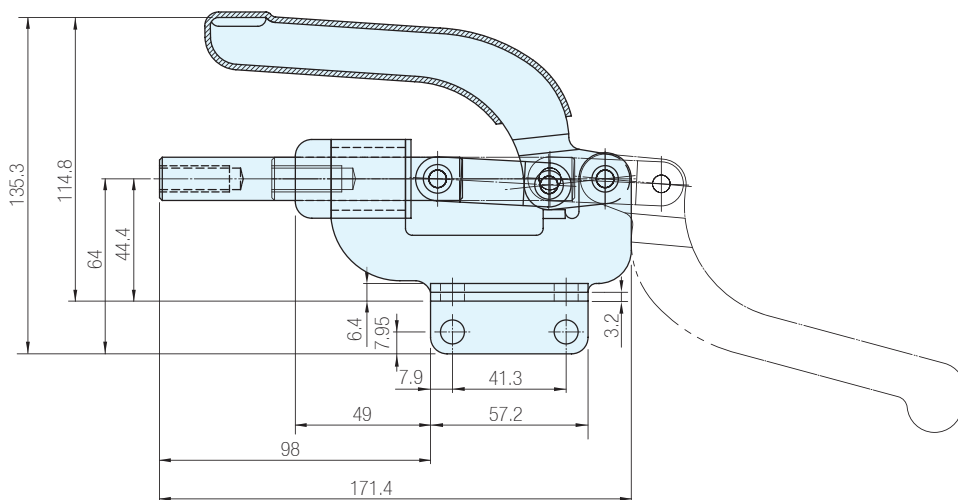
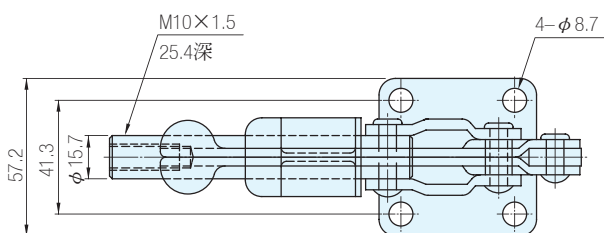
- 附件請參考本單元夾鉗附件
- 1N=0.101972kgf

訂貨： 交期： 天

SSP-36003M



材質	處理
鋼	鍍鋅



夾持零件

品號	夾持力 (N)	質量 (g)	把手移動	行程 mm	標準附件	備註	單價
SSP-36010M	3567	800	180°	41.3	SSP-SA-105015	法蘭座	·
SSP-36012M						直座	

Wa 注意

- 附件請參考本單元夾鉗附件
- 1N=0.101972kgf

訂貨： 品號 交期： 天

SSP-36010M



... 不燃性規格



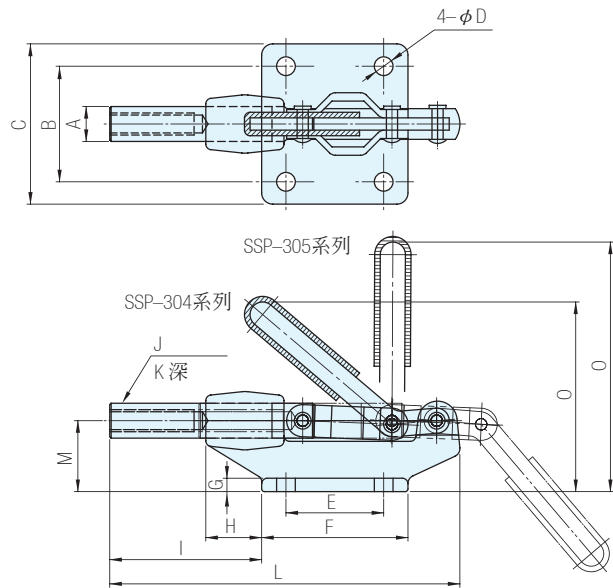
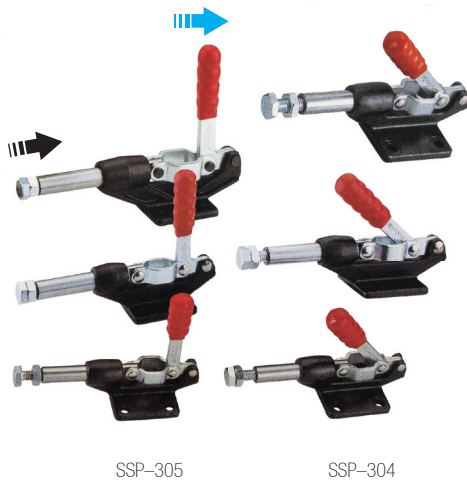
... 防靜電規格



... 抗菌規格

SOFT ... 軟性製品

CLEAN ... CLEAN製品



材質	處理
鋼	鍍鋅

品號	夾持力 (N)	質量 (g)	行程	規格	標準附件	A	B	C	D	E
SSP-304-CM	2270	340	32	45° 把手	SSP-SA-085012	12.7	41.1	57.2	6.7	35.0
SSP-305-CM				90° 把手						
SSP-304-EM	3860	580	42	45° 把手	SSP-SA-105015	16.0	41.1	57.2	8.3	41.1
SSP-305-EM				90° 把手						
SSP-304-HM	6800	1480	60	45° 把手	SSP-SA-125017	19.2	50.8	71.4	8.3	50.8
SSP-305-HM				90° 把手						

品號	F	G	H	I	J	K	L	M	O	單價
SSP-304-CM	52.4	4.8	20.6	54.8	M 8×1.25	30.2	125.4	25.4	74.6	•
SSP-305-CM									90.5	
SSP-304-EM	58.8	4.8	31.8	81.0	M10×1.5	39.2	163.2	31.8	98.4	•
SSP-305-EM									122.8	
SSP-304-HM	73.2	6.4	50.8	119.8	M12×1.75	49.2	235.0	44.4	133.4	•
SSP-305-HM									171.6	

Wa) 注意

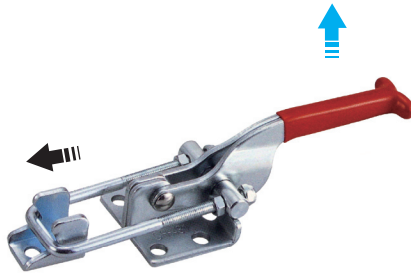
- 附件請參考本單元夾鉗附件
- 1N=0.101972kgf

訂貨： 交期： 天

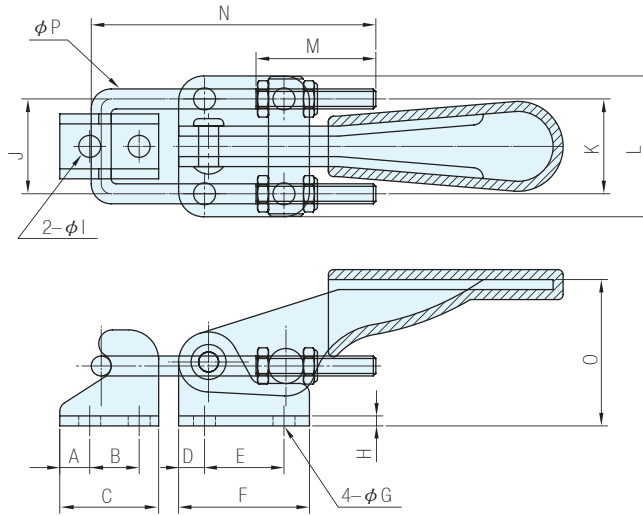
SSP-304-CM

夾持零件

SUS



	鋼	不銹鋼
材質	處理	材質
鋼	鍍鋅	不銹鋼



品號	夾持力 (N)	質量 (g)	A	B	C	D	E	F	G	H
SSP-40323	1597	70	6.0	10.0	20.0	5.2	15.9	26.2	4.4	2.0
SSP-431	3116	225	6.8	12.0	25.4	6.4	19.0	39.7	6.7	3.0
SSP-40341	8820	680	9.5	19.2	38.1	9.5	41.3	60.3	8.6	4.0
SSP-40323-SS	不銹鋼									
SSP-431M-SS										
SSP-40341-SS										

品號	I	J	K	L	M	N	O	P	單價
SSP-40323	4.4	19.0	19.0	28.2	24.0	57.0	29.3	4.0	•
SSP-431	6.3	31.6	26.6	44.4	38.0	87.0	41.3	5.0	•
SSP-40341	8.5	38.1	44.5	54.0	52.0	115.0	74.0	8.0	•
SSP-40323-SS	不銹鋼								
SSP-431M-SS									
SSP-40341-SS									

Wa 注意

- 附件請參考本單元夾鉗附件
- 1N=0.101972kgf

訂貨： 交期： 天

SSP-40323

夾持零件



... 不燃性規格



... 防靜電規格



... 抗菌規格

SOFT

... 軟性製品

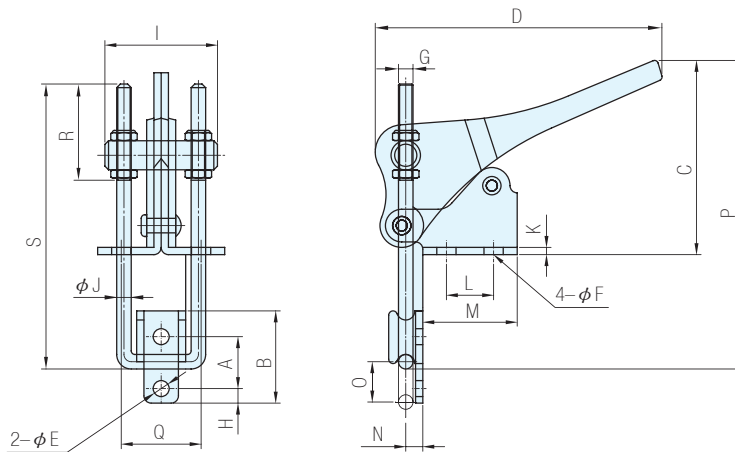
CLEAN

... CLEAN製品

SUS



	鋼	不銹鋼
材質	處理	材質
鋼	鍍鋅	不銹鋼



品號	夾持力 (N)	質量 (g)	A	B	C	D	E	F	G	H
SSP-40324	2205	113	14.3	25.4	53.3	79.0	4.4	5.3	M4×0.7	4.0
SSP-40334	4410	250	20.6	38.1	61.9	120.0	7.1	7.1	M6×1.0	7.1
SSP-40344	8820	700	27.0	54.0	88.7	130.2	8.7	8.7	M8×1.25	9.5
SSP-40324-SS	不銹鋼									
SSP-40334-SS										
SSP-40344-SS										

品號	I	J	K	L	M	N	O	P	Q	R	S	單價
SSP-40324	31.0	4.0	2.0	13.0	26.0	4.7	11.1	85.0	22.0	26.5	78.5	•
SSP-40334	41.3	6.35	3.0	19.1	33.3	8.7	17.5	108.5	25.4	40.5	114.0	•
SSP-40344	60.3	7.9	4.0	31.8	47.6	12.7	28.6	150.0	36.5	58.0	154.0	•
SSP-40324-SS	不銹鋼											
SSP-43334-SS												
SSP-40344-SS												

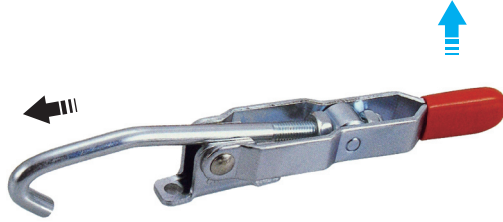
Wa) 注意

• 1N=0.101972kgf

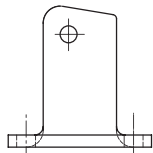
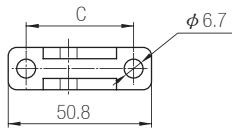
訂貨： 交期： 天

SSP-40324

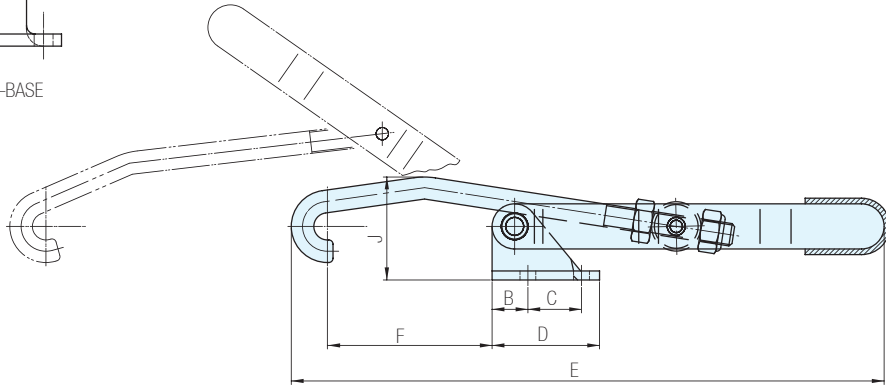
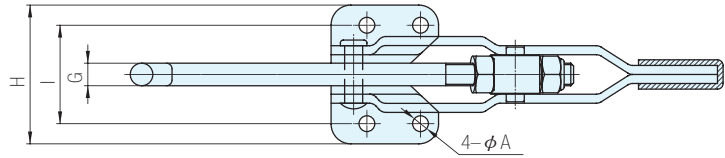
SUS



	鋼	不銹鋼
材質	處理	材質
鋼	鍍鋅	不銹鋼



SSP-452-BASE



夾持零件

品號	夾持力 (N)	質量 (g)	備註	A	B	C	D	E	F	G	H	I	J	單價
SSP-451	1666	270	法蘭座	5.6	12.7	19.0	38.1	211	58.4	8.0	49.2	34.9	36.5	·
SSP-452	1666	255	窄底座	6.7	-	38.1	50.8	211	44.75	8.0	-	-	36.5	
SSP-40371	3332	624	法蘭座	8.7	7.9	31.8	47.6	288	79.4	9.5	65.7	49.2	57.3	·
SSP-43810	4410	1130	法蘭座	10.3	12.7	28.6	54.0	336	76.2	12.7	85.7	60.3	68.0	·
SSP-451-SS	不銹鋼													·
SSP-452-SS														

Wa) 注意

· 1N=0.101972kgf

訂貨： 交期： 天

SSP-451



... 不燃性規格



... 防靜電規格



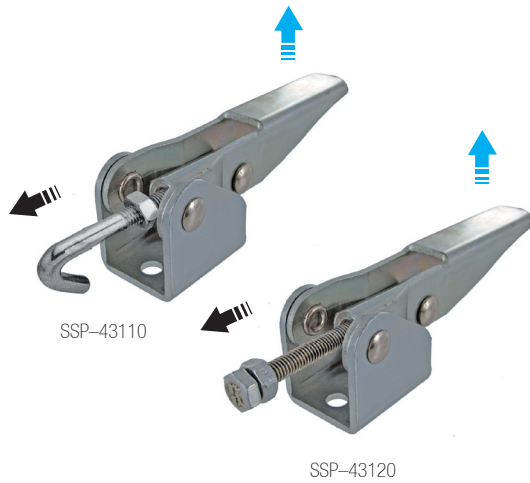
... 抗菌規格



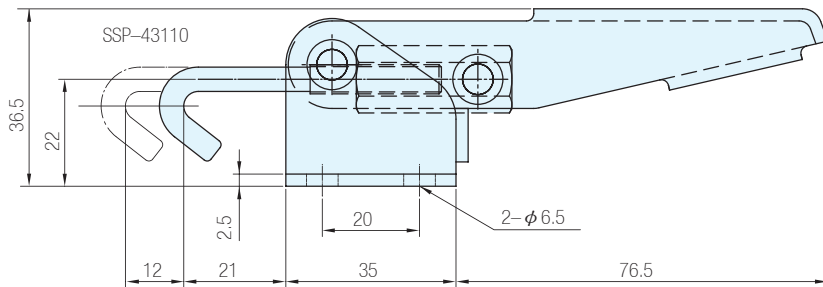
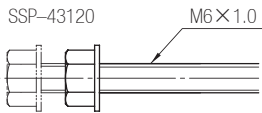
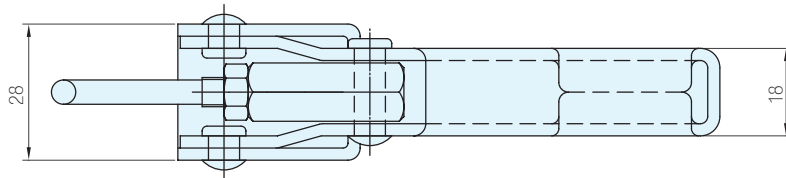
... 軟性製品



... CLEAN製品



材質	處理
鋼	鍍鋅



夾持零件

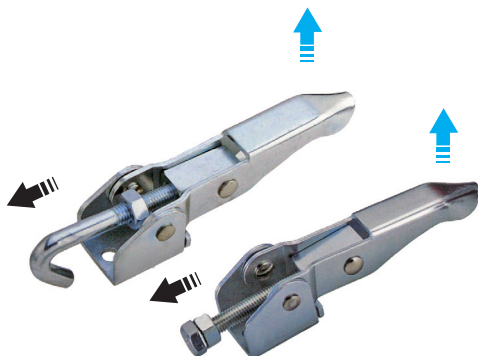
品號	夾持力 (N)	質量 (g)	標準附件	單價
SSP-43110	1666	180	勾型螺栓M6×1.0	.
SSP-43120	1666	180	SSP-SA-065010	

Wa. 注意

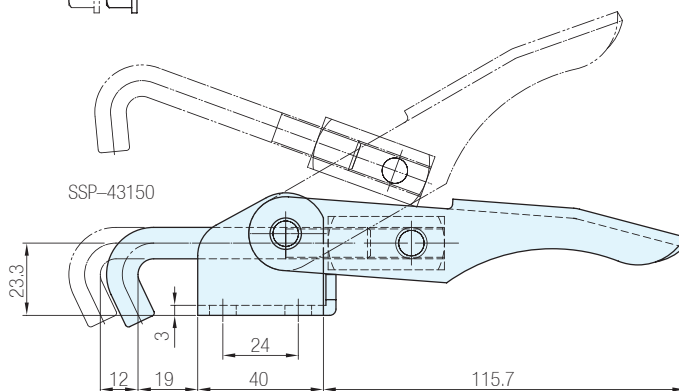
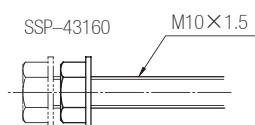
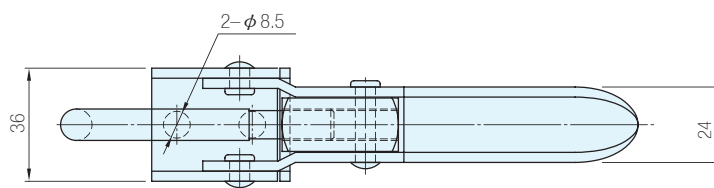
- 附件請參考本單元夾鉗附件
- 1N=0.101972kgf

訂貨： 交期：

SSP-43110



材質	處理
鋼	鍍鋅



夾持零件

品號	夾持力 (N)	質量 (g)	標準附件	單價
SSP-43150	2940	385	勾型螺栓M10×1.5	.
SSP-43160	2940	385	SSP-SA-107515	

Wa. 注意

- 附件請參考本單元夾鉗附件
- 1N=0.101972kgf

訂貨： 交期：

SSP-43150



... 不燃性規格



... 防靜電規格

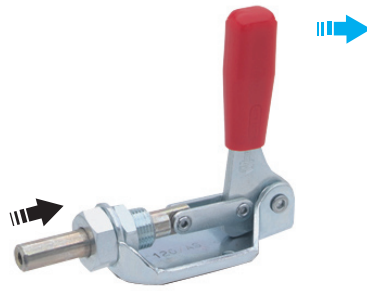


... 抗菌規格

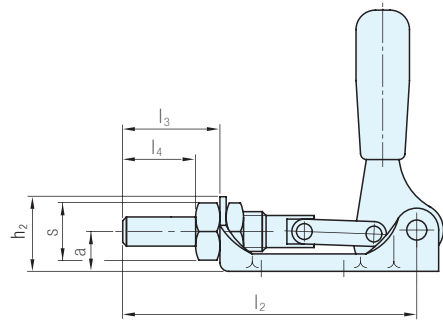
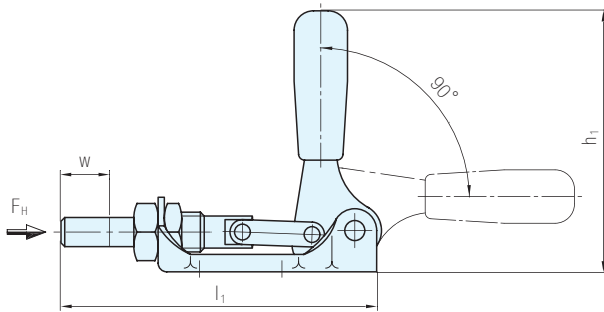
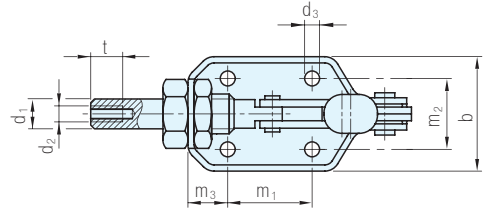
SOFT ... 軟性製品

CLEAN ... CLEAN製品

RoHS



本體		手柄	
材質	處理	材質	顏色
鋼 C10	鍍鋅	塑膠	紅



夾持零件

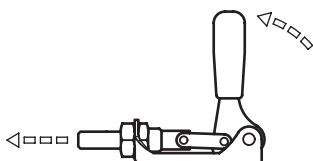
品號	a	b	d ₁	d ₂	d ₃	h ₁ ≈	h ₂	l ₁	l ₂	l ₃	l ₄
SGR841-0010	17	48	12	M6	5.5	113	31	130	121	40	30
SGR841-0020	20	58	14	M8	6.5	140	36	167	155	57	45

品號	m ₁	m ₂	m ₃	s	t	W 行程	夾持力 (N)	質量 (g)	單價
SGR841-0010	34	30	17	24	12	20	3600	330	•
SGR841-0020	50	34	18	27	16	34	7200	600	•

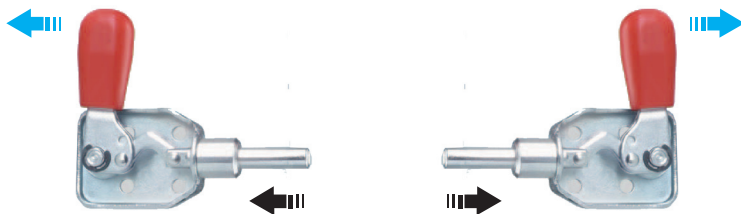
Ex. 使用例

訂貨： 交期： 天

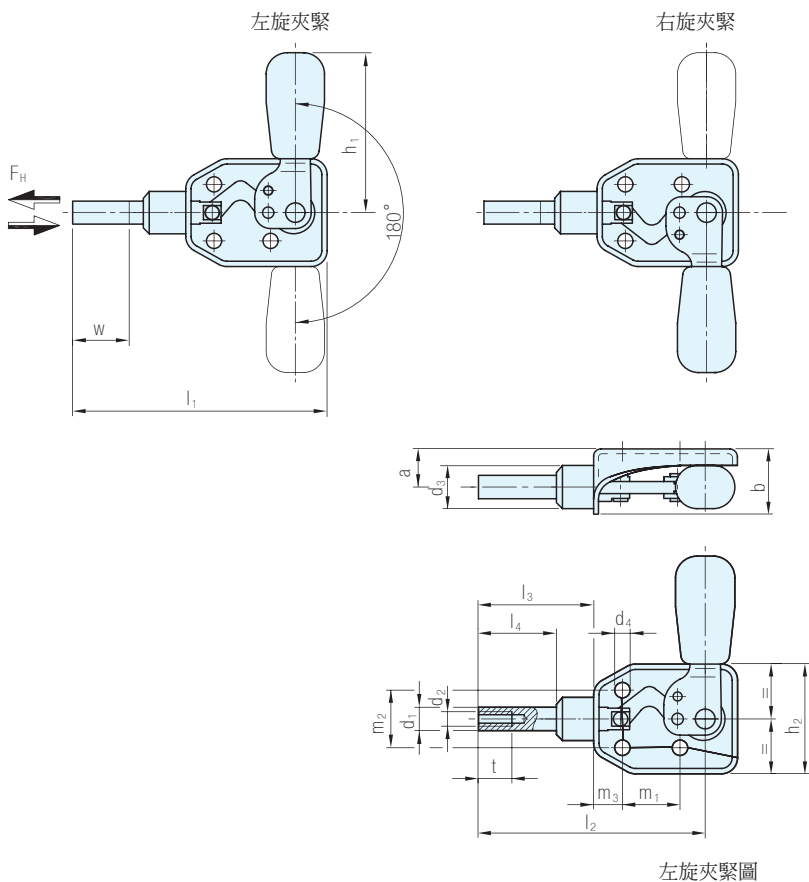
SGR841-0010



RoHS



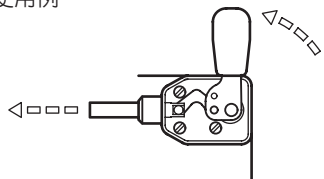
本體		手柄	
材質	處理	材質	顏色
鋼 C10	鍍鋅	塑膠	紅



左旋夾緊圖

左旋夾緊	右旋夾緊	a	b	d ₁	d ₂	d ₃	d ₄	h ₁ ≈	h ₂	l ₁	l ₂ ≈	l ₃
品號	品號	10	18	6.5	M4	12	4.3	46	30.5	73	65	32
SGR840-0010	SGR840-0011											
左旋夾緊	右旋夾緊	l ₄	m ₁	m ₂	m ₃	t	W	夾持力 (N)	質量 (g)	單價		
品號	品號	21	16	16	8	9	16	800	60	·		
SGR840-0010	SGR840-0011											

Ex. 使用例



Ps. 備註

· 1N=0.101972kgf

訂貨： 交期： 天

SGR840-0010

夾持零件



... 不燃性規格



... 防靜電規格

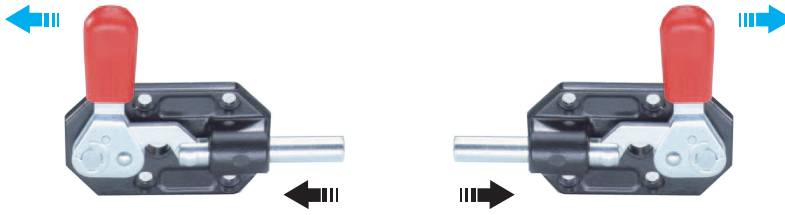


... 抗菌規格

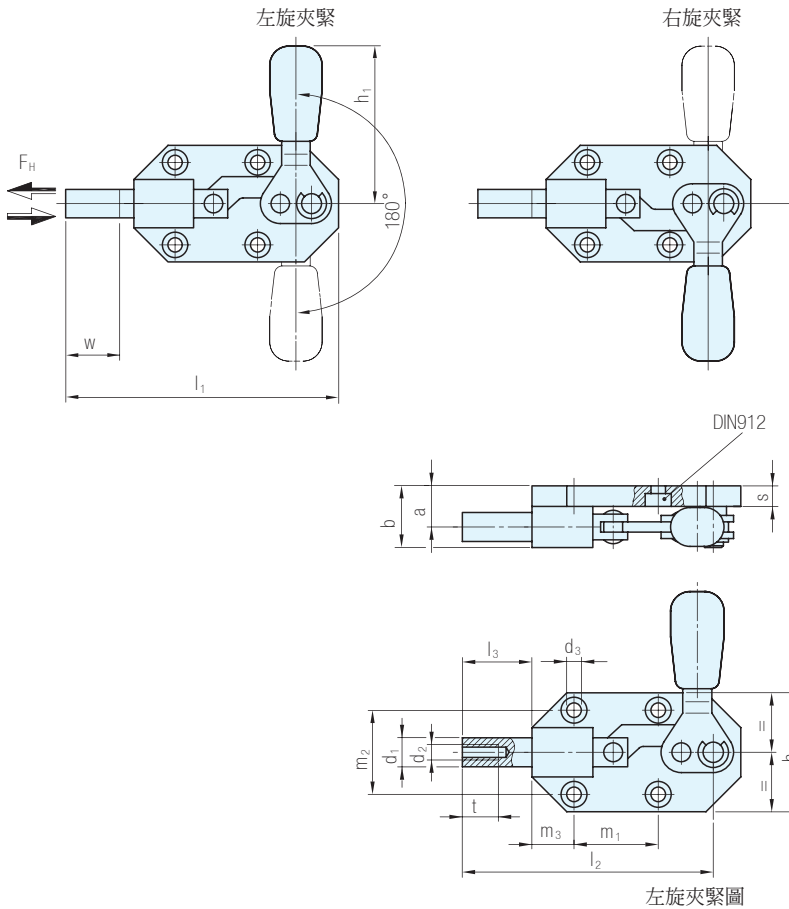
SOFT ... 軟性製品

CLEAN ... CLEAN製品

RoHS



本體		基座		手柄	
材質	處理	材質	處理	材質	顏色
鋼	鍍鋅	銅	染黑	塑膠	紅



夾持零件

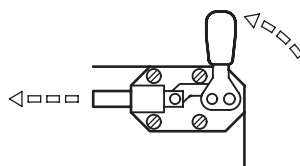
左旋夾緊 品號	右旋夾緊 品號	a	b	d ₁	d ₂	d ₃	h ₁ ≈	h ₂	l ₁	l ₂ ≈	l ₃
SGR844-0010	SGR844-0011	12	19	8.5	M6	4.5	49	36	86	77	21.5
SGR844-0020	SGR844-0021	15.5	25	11	M6	5.5	86	46	117	107	32

左旋夾緊 品號	右旋夾緊 品號	m ₁	m ₂	m ₃	s	t	W 行程	夾持力 (N)	質量 (g)	單價
SGR844-0010	SGR844-0011	26	26	13	6	12	20	900	180	·
SGR844-0020	SGR844-0021	36.5	33.5	11	10		30	1300	400	·

PS) 備註

· 基座是熱鍛造銅軸襯使得夾緊更穩固，滑動性更佳

Ex) 使用例



訂貨： 交期：

SGR844-0010